

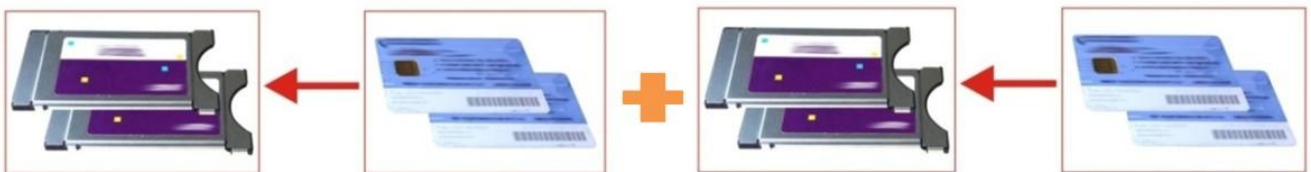


NDS3348C

4 in 1 DVB-C Modulator



4 CI Slots = 4*CAM + 4*Smartcard



Outline

NDS3348C is a high performance and cost-effective DVB-C modulator designed by Dexin. It has 8 tuner inputs, after multiplexing, scrambling and modulating process, then it gives 4 DVB-C non-adjacent carriers output. To meet customers' various requirements, this device is also equipped with 128 IP input and 4 MPTS output over UDP and RTP. Its pluggable structure design greatly facilitates the change of modules as needed. Moreover, the four CAMs/CIs accompanied and BISS modules can descramble the programs input from 8 Tuner and IP input.

NDS3348C can be upgraded and controlled through network system, which allows it to be widely used in setting up digital broadcasting network and very adaptable to newly generation CATV broadcasting system.



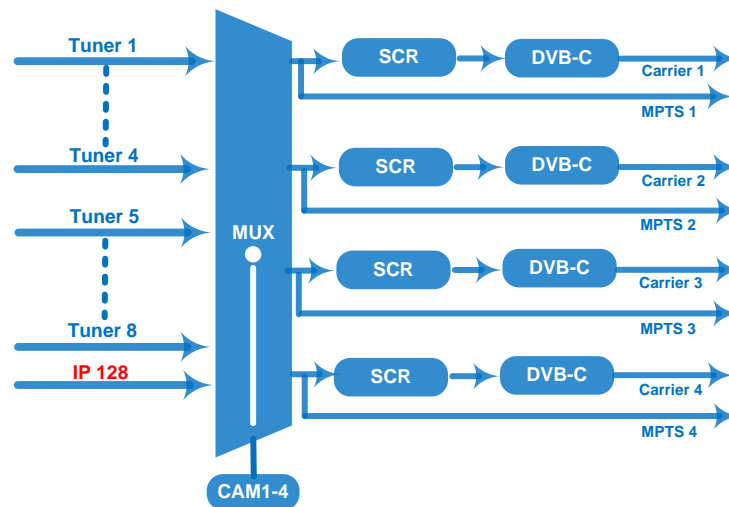
All the specifications are subject to change without any further notice. All rights reserved.

Add: No. 10 & No. 12, Wuxing Fourth Road, Wuhou District, Chengdu 610045, Sichuan, P.R. China
www.dsdtvb.com/English Tel: +86-028-85558928 Fax: +86-028-85585255 Email: sunyu@dsdtvb.com

Key Features

- 4 Tuner (DVB-C/T/(T)/S/S2/S2X/ISDBT optional) + 4 Tuner with CAM (DVB-C/T/(T)/S/S2/S2X/ATSC/ISDBT optional)
- Demodulation Module(4*RF/Loop out + 4*CAM + 4*Smartcard)
- One CAM can decrypt multiple programs from Tuners and IP
- maximum 128 IP input(MPTS/SPTS) over UDP and RTP protocol
- 4 groups multiplexing + 4 groups scrambling + 4 groups DVB-C modulating
- 4 IP (MPTS) output over UDP and RTP protocol
- Integrated demodulating and multiplexing functions
- Support BISS descrambling
- Support accurate PCR adjusting, PID Remapping, PSI/SI rebuilding and editing, A/V PID filtering
- Web-based NMS management

Principle Chart



Specifications

Input	4 Tuner (DVB-C/T/(T)/S/S2/S2X/ISDBT optional) + 4 Tuner with CAM (DVB-C/T/(T)/S/S2/S2X/ATSC/ISDBT optional) 128 IP(SPTS/MPTS) input over UDP and RTP, RJ45, 1000M/100M , Unicast/Multicast				
Tuner Section	Multi-mode tuners switchable (New)	DVB-C	Input Frequency	60~890 MHz	
			Standard	J.83A, J.83C	J.83B
			Constellation	16/32/64/128/256 QAM	64/256 QAM



All the specifications are subject to change without any further notice. All rights reserved.

Add: No. 10 & No. 12, Wuxing Fourth Road, Wuhou District, Chengdu 610045, Sichuan, P.R. China

www.dsdtv.com/English Tel: +86-028-85558928 Fax: +86-028-85585255 Email: sunyu@dsdtv.com

		DVB-T/(T)	Input Frequency	60~890 MHz
			Bandwidth	6/7/8 M
		ISDB-T	Input Frequency	60~890 MHz
	Version 1	DVB-S	Input Frequency	950-2150MHz
			Symbol rate	0.5~45Msps
			Signal Strength	-65~-25dBm
			FEC	1/2, 2/3, 3/4, 5/6, 7/8 QPSK
		DVB-S2	Input Frequency	950 ~2150MHz
			Symbol rate	QPSK: 1~45 Msps; 8PSK: 0.5~45 Msps
			FEC	1/2, 3/5, 2/3, 3/4, 4/5, 5/6, 8/9, 9/10
			Constellation	QPSK, 8PSK
	Version 2 (New)	DVB-S	Input Frequency	950 ~2150MHz
			Symbol rate	0.5~45Msps
			Signal Strength	- 65- -25dBm
			FEC	1/2, 2/3, 3/4, 5/6, 7/8
Constellation			QPSK	
Max input bitrate			≤129Mbps	
DVB-S2		Input Frequency	950 ~2150MHz	
		Symbol rate	QPSK/8PSK /16APSK :0.5~45 Msps 32APSK: 0.5~40Msps;	
		FEC	QPSK: 1/2, 3/5, 2/3, 3/4, 4/5, 5/6, 8/9, 9/10 8PSK: 3/5, 2/3, 3/4, 5/6, 8/9, 9/10 16APSK: 2/3, 3/4, 4/5, 5/6, 8/9, 9/10 32APSK: 3/4, 4/5, 5/6, 8/9, 9/10	
		Constellation	QPSK, 8PSK, 16APSK, 32APSK	
		Max input bitrate	≤129 Mbps	
		DVB-S2X	Input Frequency	950 ~2150MHz
Symbol rate	QPSK/8PSK /16APSK :0.5~45 Msps 8APSK/32APSK: 0.5~40Msps			
FEC	QPSK: 1/2, 3/5, 2/3, 3/4, 4/5, 5/6, 8/9, 9/10, 13/45, 9/20, 11/20 8PSK: 3/5, 2/3, 3/4, 5/6, 8/9, 9/10 8APSK: 5/9-L, 26/45-L 16APSK: 2/3, 3/4, 4/5, 5/6, 8/9, 9/10, 1/2-L, 8/15-L, 5/9-L, 26/45, 3/5, 3/5-L, 28/45, 23/36 , 2/3-L, 25/36, 13/18, 7/9, 77/90 32APSK: 3/4, 4/5, 5/6, 8/9, 2/3-L, 32/45, 11/15, 7/9			
Constellation	QPSK, 8PSK, 8APSK, 16APSK, 32APSK			
Max input bitrate	≤129 Mbps			
ATSC-T	Input Frequency		54~858MHz	
	Bandwidth	6M		
	Constellation	8VSB		

Descrambling	CAM/CI	4 sets			
BISS Descrambling	Mode 1, Mode E (descramble individual program)				
Multiplexing	Maximum PID Remapping	256 per input channel			
	Function	A/V PID filtering			
		PID Remapping			
		Accurate PCR adjusting			
		Generate PSI/SI table automatically			
Scrambling	Maximum simulcrypt CA	4			
	Standard	ETR289, ETSI 101 197, ETSI 103 197			
	Connection	Local/remote connection			
Modulation	DVB-C	Standard	J.83A (DVB-C), J.83B,		
		MER	$\geq 43\text{dB}$		
		RF frequency	50~960MHz, 1KHz step		
		RF output level	-25~ -1dbm(83~107 db μ V), 0.1db step		
		Symbol rate	5.000~7.000MSPS adjustable		
		RF Out	4*DVB-C non-adjacent carriers combined output, 40M total bandwidth limitation		
		Constellation	J.83A	J.83B	
			16/32/64/128/256QAM	64/256 QAM	
Bandwidth	8M	6M			
Stream out	4*MPTS over UDP and RTP out (RJ45, 1000M/100M Unicast/Multicast)				
System	web-based NMS support				
	Ethernet software upgrading				
General	Dimension	482mm×300mm×44.5mm (W*D*H)			
	Temperature	0~45°C (Operation) ; -20~80°C (Storage)			
	Power	AC 100V±10%/60Hz; AC 220V±10%, 50/60HZ			

Updated date: 7 May, 2019