



DHP200D

10G IP QAM Processor



## Product Overview

DHP200D 10G IP QAM processor is an all-in-one device developed by DEXIN which integrates multiplexer, scrambler and modulator in one body with maximum 112 DVB-C QAM channels output. With 10G switch built in, it can process 10G optical signal to work as a traditional QAM modulator.

This processor is equipped with 2 card slots to load 32ch or 48ch or 64ch QAM card. Its high density helps operators to save cost to the most extent.

## Key Features

- Support 3 SFP+ (10G)/SFP(1G) ports and 2 GE ports input & output from the front panel, or RJ45 GE ports input & output from daughter cards (32/48QAM)
- High density, modularized plug-in design, 1U chassis with max 2 QAM cards
- Support multiplexer and scrambler with 6 CAS Simul-cryption
- Maximum 112 non-adjacent QAM carriers output
- Supports accurate PCR adjusting/CA filtering, PID remapping and PSI/SI editing
- Web-based Network management

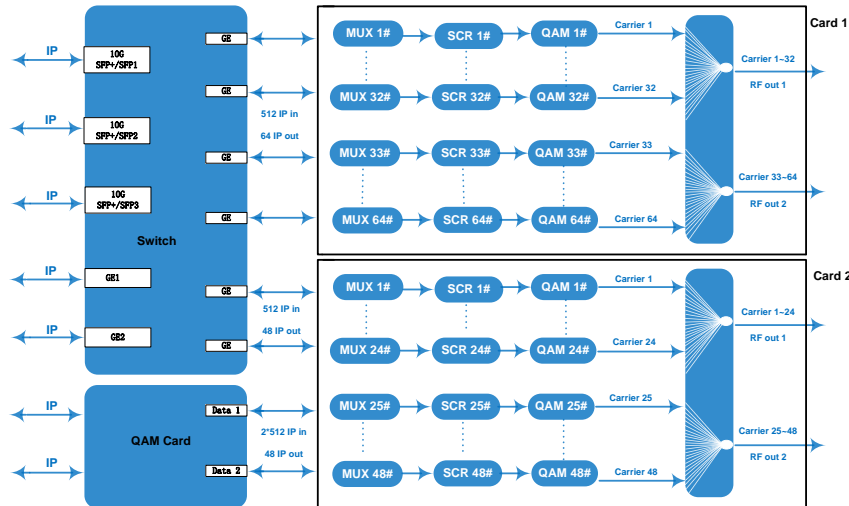


All the specifications are subject to change without any further notice. All rights reserved.

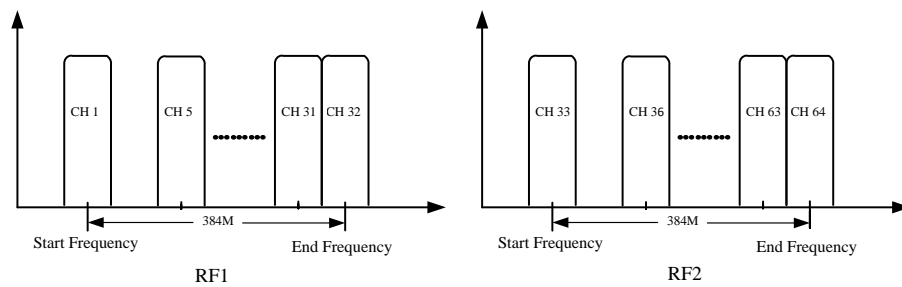
Add: No. 10 & No. 12, Wuxing Fourth Road, Wuhou District, Chengdu 610045, Sichuan, PR China

www.dsdvb.com/English Tel: +86-028-85558928 Fax: +86-028-85585255 Email: sunyu@dsdvb.com

## Inner Principle Chart (Example: one 64qam card + one 48qam card)



## Carrier Setting Illustration (Example: 64qam card)



## Specifications

<b>Input</b>	Input from Front Panel	Max 512 IP in per card through SFP+/SFP ports 1-3 and 2 GE ports
	Input from Daughter Card	2*512 IP in from 2 GE ports (SFP port optional)--32/48 QAM
	Transmission Rate	Max 9600Mbps for each 10G SFP+/SFP input
	Transport Protocol	TS over UDP/RTP, unicast and multicast, IGMP V2/V3
<b>Mux</b>	Max PIDs Remapping	256 per output channel
	Functions	PID remapping (auto/manually optional)
		PCR accurate adjusting
		PSI/SI table automatically generating
<b>Scrambling</b>	Max simulcrypt CA	6
	Scramble Standard	ETR289, ETSI 101 197, ETSI 103 197
	Connection	Local/remote connection
<b>Modulation</b>	Modulation Standard	EN300 429/ITU-T J.83A/B/C
	Constellation	J.83A      Constellation :16/32/64/128/256QAM

		Bandwidth :8M	
	J.83B/C	Constellation :64/256QAM	
		Bandwidth :6M	
	QAM Channel	32/48/64/96/112 non-adjacent carriers output, 384Mbps bandwidth for each RF port	
	Symbol Rate	3600~7000Ksps, 1ksps stepping 5057Ksps (J.83B, 64QAM) ; 5361Ksps (J.83B, 256QAM)	
	Constellation	16, 32, 64, 128, 256QAM	
FEC	RS (204, 188)		
<b>RF Output</b>	Interface (per card)	1 or 2 F type output ports for 32/48/64 carriers card, 75Ω. 32ch qam card : all Carrier out thru one RF port 32ch/48ch qam card : Carrier 1~16/1~24 out thru RF1, 17~32/25~48 thru RF2 64ch qam card : Carrier 1~32 out thru RF1, 33~64 thru RF2	
	RF Range	50~960MHz, 1kHz stepping	
	Output Level	-20dBm~+10dBm(87~117dbμV), 0.1dB stepping	
	MER	≥ 40dB	
<b>TS output</b>	Per Daughter QAM Card	32/48/64 IP output over UDP/RTP/RTSP, unicast/multicast, through SFP+/SFP ports 1-3 or GE ports RJ45	
<b>System</b>	Web-based Network management		
<b>General</b>	Dimension	420mm×440mm×44.5mm (W×L×H)	
	Temperature	0~45℃(operation), -20~80℃(storage)	
	Power Supply	AC 100V±10%, 50/60Hz ; or AC 220V±10%, 50/60Hz	
	Consumption	50W(1 daughter QAM card)/75W(2 daughter QAM cards)	

## Order Guide

Options Available	Combinations
32ch QAM out	32qam card * 1
48ch QAM out	48qam card * 1
64ch QAM out	64qam card * 1
96ch QAM out	64qam card * 1 + 32qam card * 1
112ch QAM out	64qam card * 1 + 48qam card * 1



All the specifications are subject to change without any further notice. All rights reserved.

☞ Add: No. 10 & No. 12, Wuxing Fourth Road, Wuhou District, Chengdu 610045, Sichuan, PR China

▲ www.dsdvb.com/English ☎ Tel: +86-028-85558928 📠 Fax: +86-028-85585255 ✉ Email: sunyu@dsdvb.com