

▶ HDMI/CVBS ➡ ISDB-T/DVB-T Encoder & Modulator

▶ ISDB-T/DVB-T RF in one device, **Modulation dynamic switching**

*--- Home Version*



A device that allows audio and video signal input in TV distributions with applications in home entertainment, Digital Signage for hotels, shops, restaurants etc...

## General Description

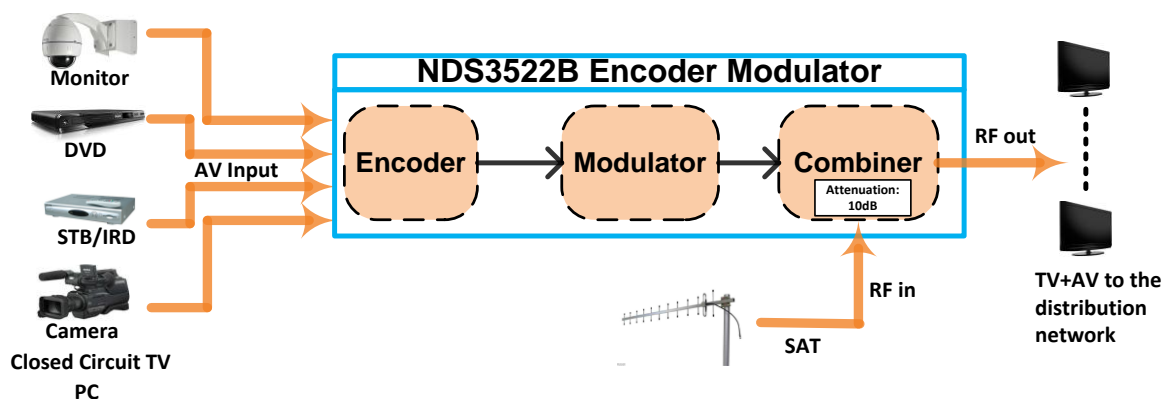
DEXIN NDS3522B HD/SD encoder & modulator is designed based on consumer electronics which allow audio/video signal input in TV distributions with applications in home entertainment, surveillance control, hotel Digital Signage, shops etc.

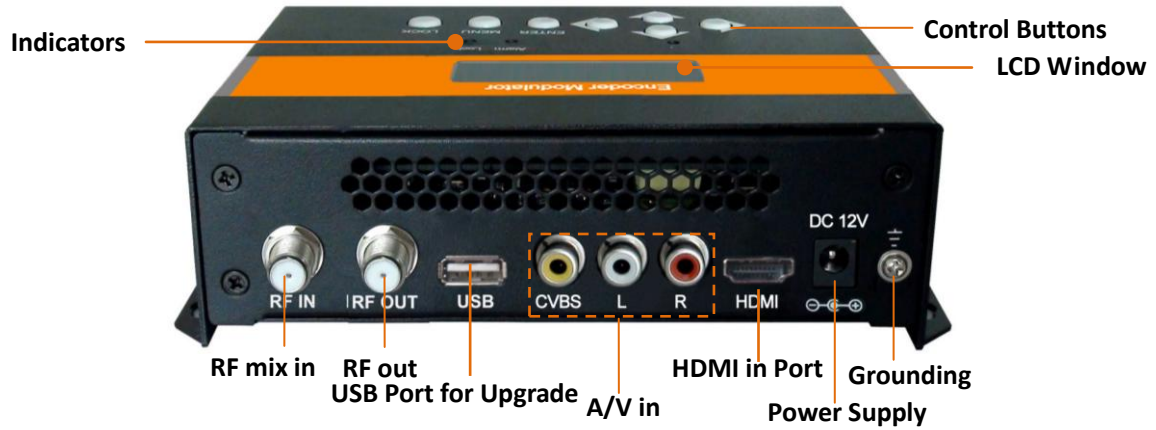
It is an all-in-one device integrating MPEG-4 AVC/H.264 encoding and modulating to convert audio/video signals into ISDBT/DVB-T RF out.

The signals source could be from STB, satellite receiver, closed-circuit television cameras and antenna etc.

Its output signal is to be received by ISDBT/DVB-T TV sets or STBs etc.

## System Connection





## Technical Specifications

### HDMI Encoding Section

Encoding	H.264 MP@L 3.0/3.1/4.0	
Interface	HDMI*1	
Video	<b>Input</b>	<b>Output</b>
	480@59.94/60p	480@60p
	480@59.94/60i	480@30p
	576@50i	576@25p
	720@50/59.94/60p	720@50/59.94/60p
	1080@50i	1080@25p
	1080@59.94/60i	1080@30p
	1080@59.94/60p	1080@30p
Aspect Ratio	16:9, 4:3	
Bit rate	1.000~18.000 Mbps	
Audio	Encoding	MPEG1 layer 2
	Sample rate	48KHz
	Bit rate	64, 96,128, 192, 256, 320kbps

### CVBS Encoding Section

Encoding	H.264 MP@L 3.0	
Interface	CVBS*1 (RCA)	
Video	<b>Input</b>	<b>Output</b>
	480@60p	480@60p
	480@60i	480@30p
	576@50p	576@50p
	576@50i	576@25p
Aspect Ratio	4:3	
Bit rate	1.000~18.000 Mbps	
Audio	Encoding	MPEG1 layer 2
	Interface	Analog Stereo/Mono (Unbalanced RCA)
	Sample rate	48KHz
	Bit rate	64, 96,128, 192, 256, 320kbps

### ISDB-T Modulator Section

Standard	ARIB STD-B31
Bandwidth	6M
Constellation	QPSK, 16QAM, 64QAM
Guard Interval	1/32, 1/16, 1/8, 1/4
Transmission Mode	2K, 4K, 8K
MER	≥30dB
RF frequency	150~950MHz, 0.1MHz step
RF output level	-47~ 0 dBm (60~107 dbμV), 1db step

### DVB-T Modulator Section

Standard	DVB-T COFDM
Bandwidth	6M, 7M, 8M
Constellation	QPSK, 16QAM, 64QAM
Code rate	1/2, 2/3, 3/4, 5/6, 7/8
Guard Interval	1/32, 1/16, 1/8, 1/4
Transmission Mode:	2K, 8K
MER	≥31dB
RF frequency	150~950 MHz, 0.1KHz step
RF output level	-47~ 0 dBm (60~107 dbμV), 1db step

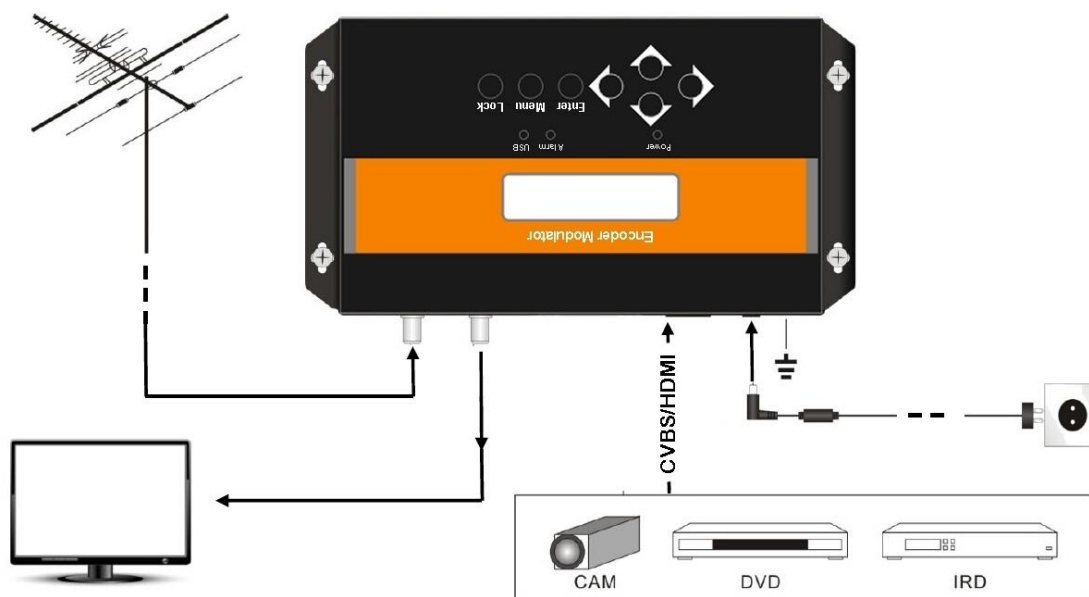
### System

RF mix in ATT	10 dB
Management	Local LCD + control buttons
Language	English
Upgrade	USB

### General

Power supply	DC 12V
Dimensions	183*110*50mm
Weight	< 1kg

# Typical Applications



**...for communities of residents**  
an information channel on their television



**...for restaurants**  
information about daily menus ,special deals,etc



**...for hotels**  
meeting rooms,exhibitions,message,etc



**...for hospitals**  
training courses, healthy guide, etc



**...for Public Spaces**  
adversing,user information,news,etc



**...for shopping centres**  
new collections,special deals,etc



**Create your own advertising and information channel using only your NDS3522B Encoder Modulator**