

DUT-8323 DVB-(T) Digital Transmitter



1500W/2000W

2500W/3000W

Outline

DUT-8323 is a professional DVB-(T) digital transmitter developed by DEXIN, which gives sustained power output with 1500W/2000W/2500W/3000W optional. Its compact structure design has greatly saved space for your room.

The frequency range of DUT-8323 is from 470MHz~806MHz. This transmitter has a very high linear and high reliability as it takes high gain and high linear LDMOS tube amplifier module.

Furthermore, it supports AGC function to keep sustained power output.

Dexin is always ready to meet customer requirements by making it available to output signal carrier or multi carrier, adapt to signal channel and broadband transmission.

Key Features

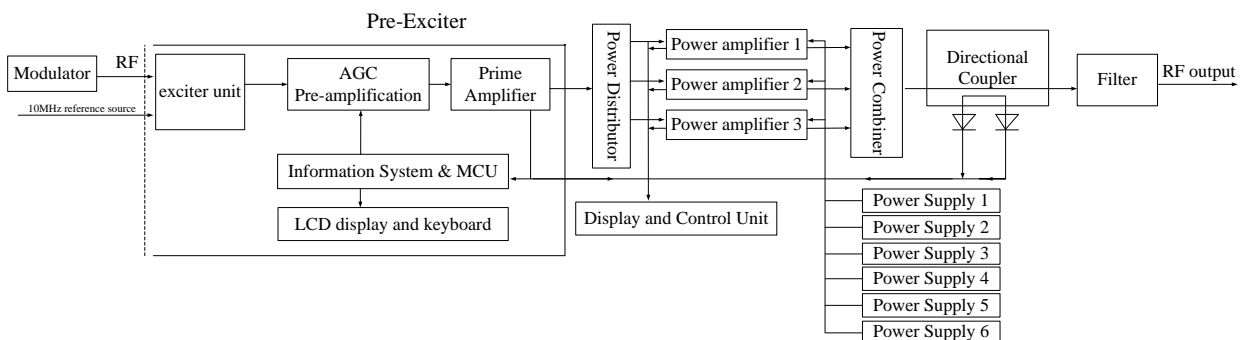
- **Intelligent and modularized amplifier unit, takes high power gain and high linear LDMOS tube amplifier module design**
- **Low power consumption and super linear design to improve the transmission power, and reduce the nonlinear distortion**
- **Support AGC function with sustained power output to allow the transmitter a good stability and reliability**
- **Support MFN and SFN system**
- **Support fault diagnosis function**
- **Full digital front panel control, easy operation.**
- **LED on the door supporting alarm and signal monitor**
- **Stabilized-power supply with wide range of voltage and high efficiency**
- **Cooling system with low consumption and low noise**
- **Multi lightning protection measures, good protection for whole equipment.**
- **24-hour working unmanned, user friendly design**
- **Easy to install, elegant appearance**

Technical Specifications

Input	System standard	DVB-(T)
	frequency	470MHz~806MHz
	Input Level	-20 dBm±3dB (87dbuv ±3dB)
	Input reflection loss	≥15dB
	Input Interface	‘N’
Output	RF output power	1500W/2000W/2500W/3000W optional
	Output frequency	470MHz~806MHz (For Single Channel: Every 8M available; For Broadband Channel: consecutive 60M available)
	Output impedance	50Ω
	frequency response	±0.5dB
	Shoulder level	≥36dB@central frequencyIF±4.2MHz
	MER	≥33dB

	output reflection loss	$\geq 20\text{dB}$
	variation of output power	$\pm 0.25\text{dB}$
	In-band stray	$\leq -60\text{dBc}$
	Out-of-band suppression	$\geq 65\text{dBc}$
	Output interface	1-5/8
General Parameters	Working temperature	$-20\sim+50^{\circ}\text{C}$
	Storage temperature	$-30\sim+75^{\circ}\text{C}$
	Relatively humidity	$< 95\%$ (25°C no condensation)
	Cooling mode	inside cooling fan
	atm press	86~106kPa
	power supply	AC, 220V $\pm 10\%$ /50Hz
	Machine room requirement	less dust, no shake
	Dimension(L \times W \times H)	1050mm \times 600mm \times 1695mm

System Diagram



PS: This diagram is a reference for 1500W and 2000W transmitter. For 2500W and 3000W transmitter, there are 4 power amplifiers and 8 power supplier included.

Main Components List



All the specifications are subject to change without any further notice. All rights reserved.

S/N	Component Name	Specs	Qty	Remarks
1	Final Power Amplifier	800W	3 pcs	For 2000W
		800W	4 pcs	For 3000W
		2000W and 3000W are standard power, 1500W and 2500W are customized version		
2	Pre-Exciter		1 pc	
3	Monitor Unit		1 pc	With LCD monitor on front door
4	Power Supply for Final Amplifier		6 pcs	For 1500W/2000W
			8 pcs	For 2500W/3000W
5	Filter		1 pc	As per order. (In case multiple single-channel transmitters are involved, a power combiner is required.)
6	Cabinet		1 pc	
7	Cooling Fan		1 set	2 sets (with 1 set for backup) optional as order or needed
Accessories				
8	Hard Feeder	Φ40, 2 meter long	1	These parts are standard configuration. If there are special requirement, please indicate when place order.
9	Elbow		3	
10	Hoop		3	
11	Hose Clamp		13	
12	Central Pin		3	
13	Flange	Φ40	1	
14	antenna		1	
15	Feeder			As per order
16	Combiner		1	As per order