

DR-2098HI/HIA Mobile Digital Receiver



DR-2098HI



DR-2098HIA

Product Overview

DR-2098HI/HIA is a professional mobile digital receiver to convert the input tuner signals to crystal clear digital or analog video in various formats available at CVBS, YPbPr, HDMI, and HD-SDI.

It is designed to support the industry standard 576i/480i, 576p/480p, 720p and 1080i decoding.

It is also equipped with 1 ASI input and 2 ASI output ports to make it possible to process more programs.

Additionally, the implemented web server allows the configuration of the DR-2098HI with a standard web browser. Basic configuration can also be done locally with the LCD display and navigation buttons. The LCD monitor can, at the same time, realize the real-time observation about broadcasting status.

Key Features

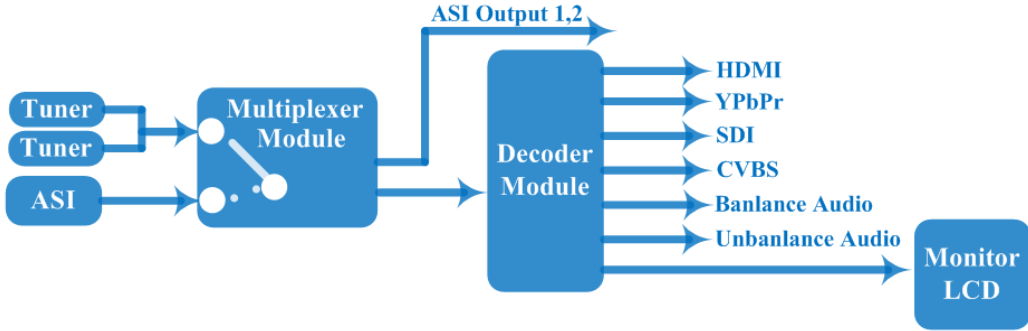
- convenient and efficient network transmission
- dual LNB input
- LED real-time monitor
- multi AV format output: 1*HDMI, 2*CVBS, 1*YPbPr, 1*HD-SDI
- Support ASI input and output
- Support IP input and output—**DR-2098HIA**
- multiple video resolution: 576i/480i, 576p/480p, 720p and 1080i decoding
- Support Keyboard and LCD operation
- web NMS management via Ethernet port

Specifications

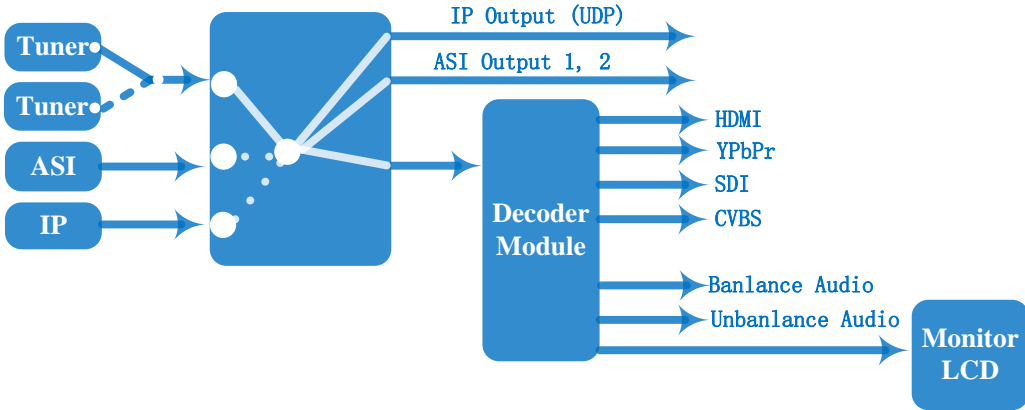
Input Parameters		
Tuner in	Signal source	2*LNB, N-L16 (negative)
	Receiving frequency	30MHz~900MHz
	Bandwidth	2MHz, 4MHz, 6MHz, 8MHz
	Input impedance	50Ω
	Receiving restriction	20dBμV~103dBμV
	Demodulation mode	COFDM/DVB-T
Transport Stream in	ASI input	1*ASI, BNC (negative)
	IP input (only for DR-2098HIA)	UDP Unicast/Multicast (100M, RJ45)
Output Parameters		
Stream out	Video output port	1*HDMI, 2*CVBS, 1*YPbPr, 1*HD-SDI
	Audio output	L/R channel (unbalanced); XLR (balanced)
	ASI output	2*ASI, BNC (negative)
	IP output (only for DR-2098HIA)	UDP/ Unicast/Multicast (100M, RJ45)
Resolution	HDMI	1080i@25, 29.94fps, 720p @ 50 59.94fps, 576i@25 fps, 480i@29.94 fps
	CVBS	576i@25 fps, 480i@29.94fps
	YPbPr	1080i@ 25, 29.94fps,720p@50, 59.94fps
	HD-SDI	1080i@25, 29.94fps,720p@50, 59.94fps, 576i@25 fps, 480i@29.94 fps
Data Formatting	MPEG-2, H.264	
BER	≤10 ⁻⁸	
Miscellaneous		
Management	Web NMS via Ethernet; LCD & Key board	
Upgrade	External USB driver	

MTBF	≥10000hrs
Working voltage	DC 10V~16V; AC 90V~250V
Feed voltage	DC 10V~16V
Power dissipation	12W
Dimension	19"1U, 483×400×44(mm)
Weight	3.5Kg

Principle chart



DR-2098HI



DR-2098HIA