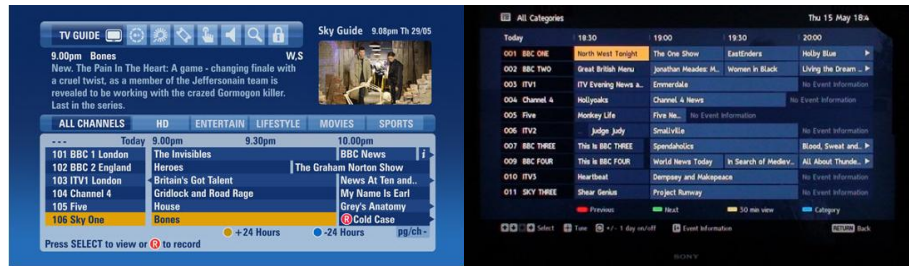




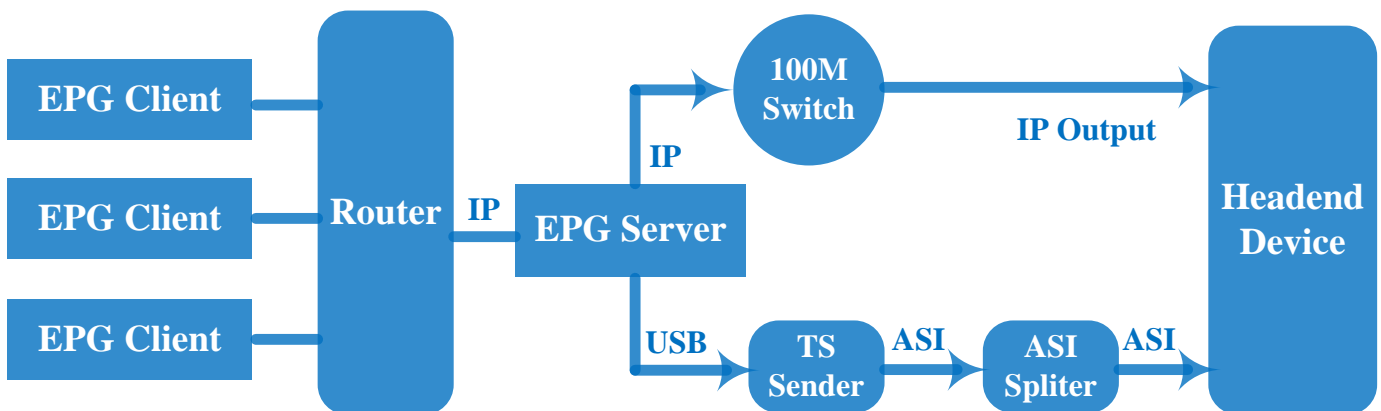
- 💡 ASI/IP Output Support
- 💡 C/S System mode
- 💡 Program schedule importing directly
- 💡 Maximum 2044 TS support
- 💡 Maximum 65530 Program support
- 💡 Maximun 64 days EIT event support
- 💡 Friendly user interface
- 💡 Self-define events formats Support
- 💡 Base on DVB Standards

EPG is an important application in the digital interactive TV. Like audio and video programs, it is a basic business, which is regarded as the symbol of digital TV. EPG provides rich colorful program forecasting information and convenient searching engine, through which subscribers could browse and search program information conveniently; meanwhile, they could also find much more program information, such as program brief introductions, actors' information and program fractions, etc.



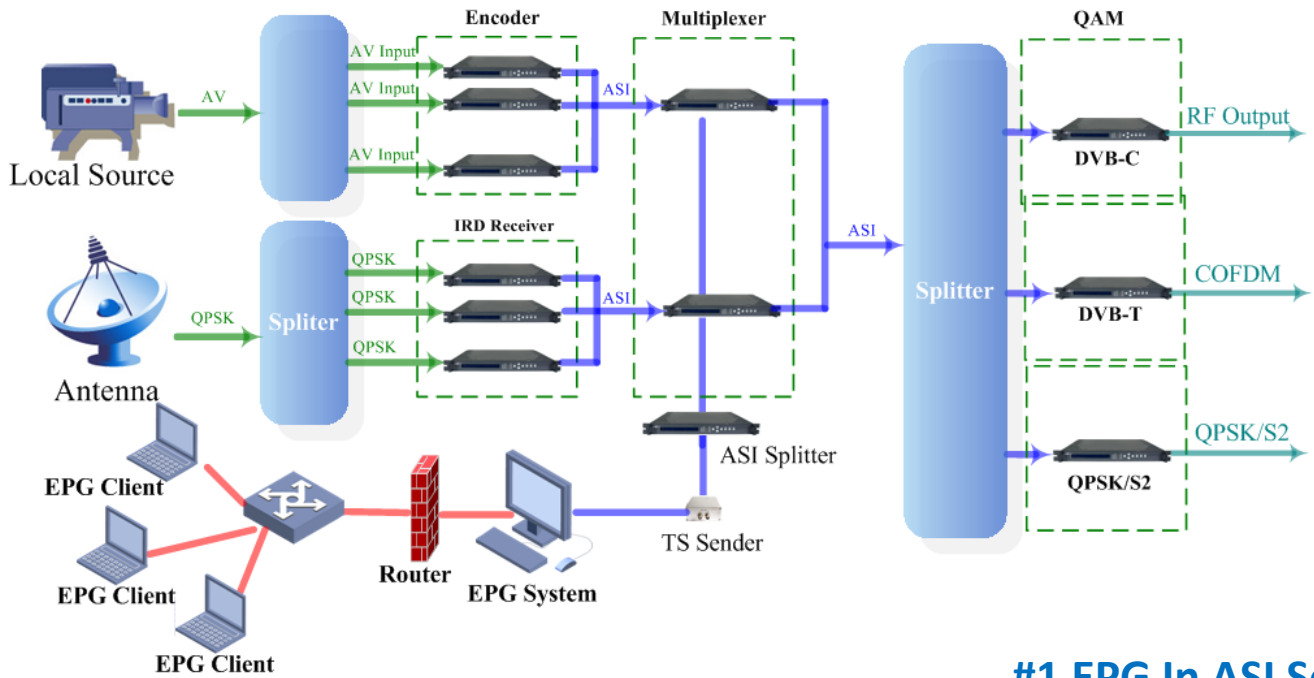
Dexin EPG is a fully-complying DVB standard system for uniform distribution and collaboration of DTV broadcasting network resources. It supports PSI/SI standard tables, standard descriptors, private descriptors, private application data generation and scheduling for broadcasting.

Inner Principle



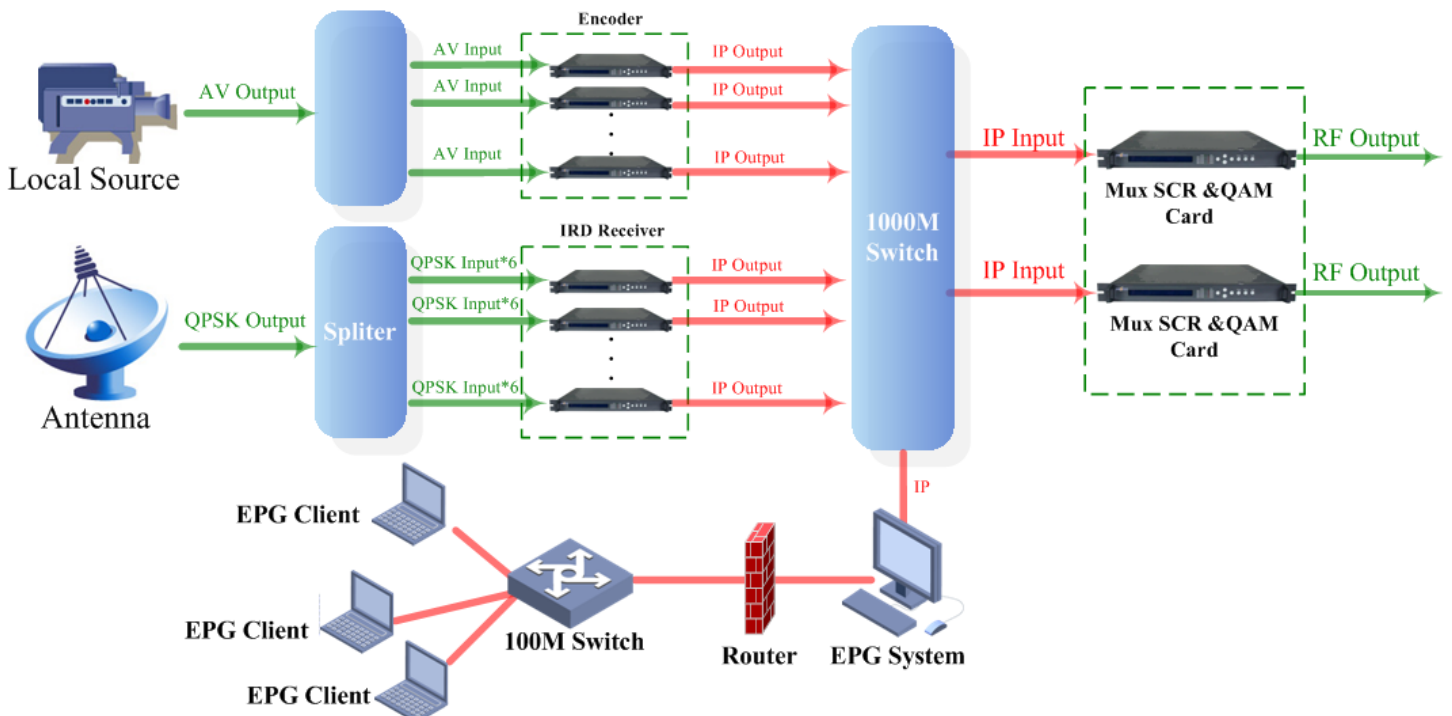


### How To Use It



#1 EPG In ASI Solution

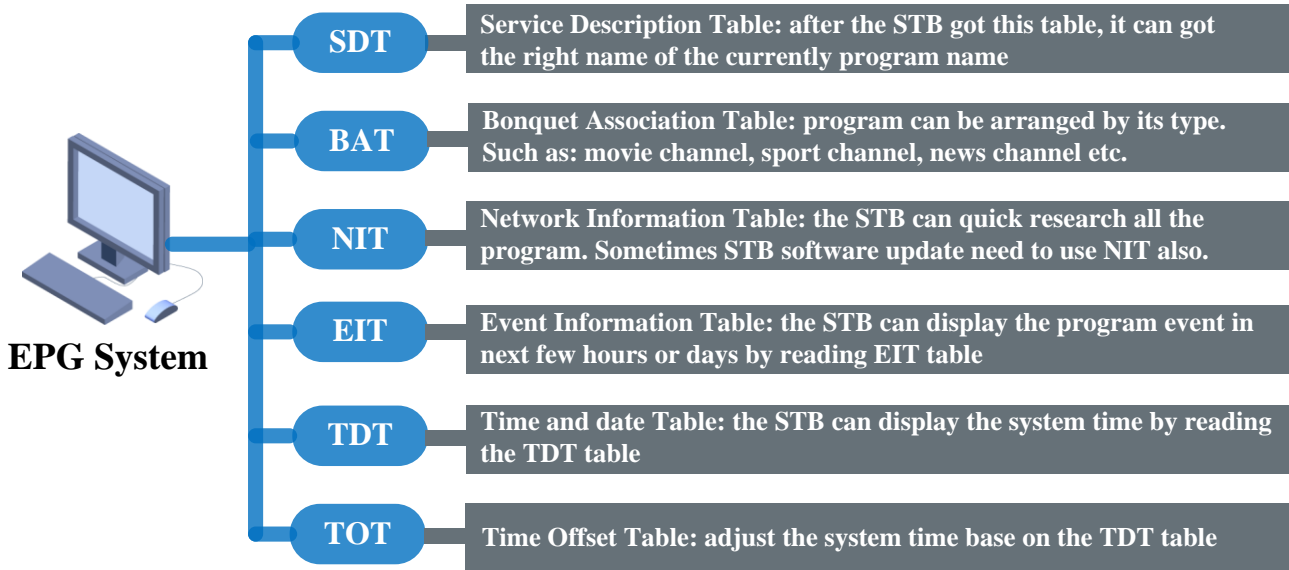
### #2 EPG In IP Solution





## EPG Function Explain

### Main Function



## Specification

### Hardware Requirement

#### EPG Server Configuration

CPU:	2.5GHz and above (recommended)
Memory:	4 GB and above
Hard disk:	the free space is 20 GB and above
Network card:	1GB Network Card 100 Network Card (optional)

#### ASI Function

TS Sender  For ASI Solution(optional)

#### EPG Client Configuration

CPU:	2.0GHz and above (recommended)
Memory:	2 GB and above
Hard disk:	the free space is 2 GB and above
Network card:	1GB Network Card

### Software Requirement

Function Software:	EPG Software
Database:	SQL Server 2005、SQL Server 2008
Operation System:	Windows server 2003、windows server 2008

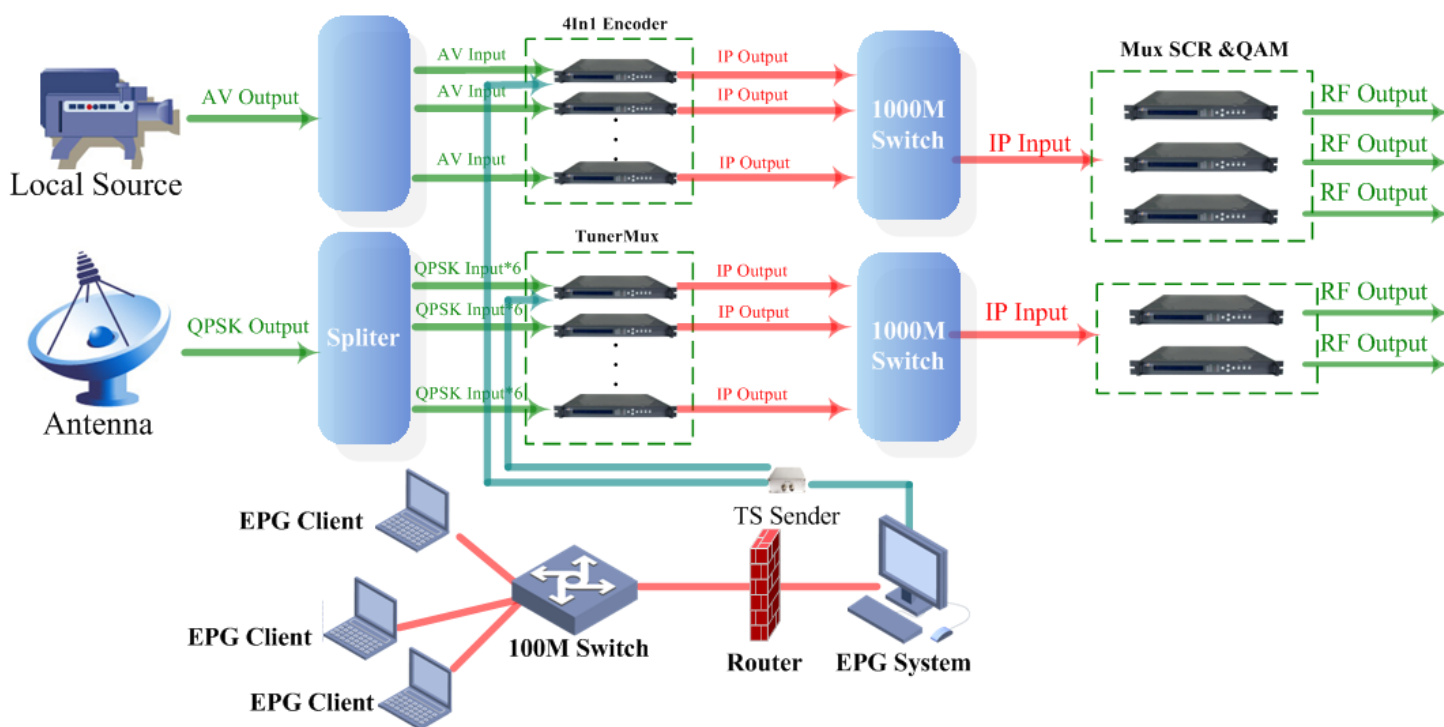
Please note:For ASI Solution,the operation system needs 32bit

Function Software:	EPG Client Software
Database:	SQL Server 2005、SQL Server 2008
Operation System:	Windows XP (SP3 Above)、Windows7 Windows Vista





More Example



Due to the switch bitrate limitation The two switch can not link together. So we needs use the ASI solution, first give all the EPG table to Encoder and Tmux, then IP multicast output give to MuxScrQam Card

EPG Function Explain

Main Function

