



NDS3103

IP Multiplexer



Outline

NDS3103 IP multiplexer is a professional TS processor used in digital TV broadcasting head-end system. It receives up to 512 IP (SPTS/MPTS) channels and multiplexes the input programs into 2 TS stream output with EPG (electronic program guide), CA (conditional access), data broadcasting and etc inserted.

For easy management, it can be controlled and upgraded via web server in addition to front panel keyboard. Its high integration and cost effective design have made it widely used in the CATV Broadcasting system.

Features

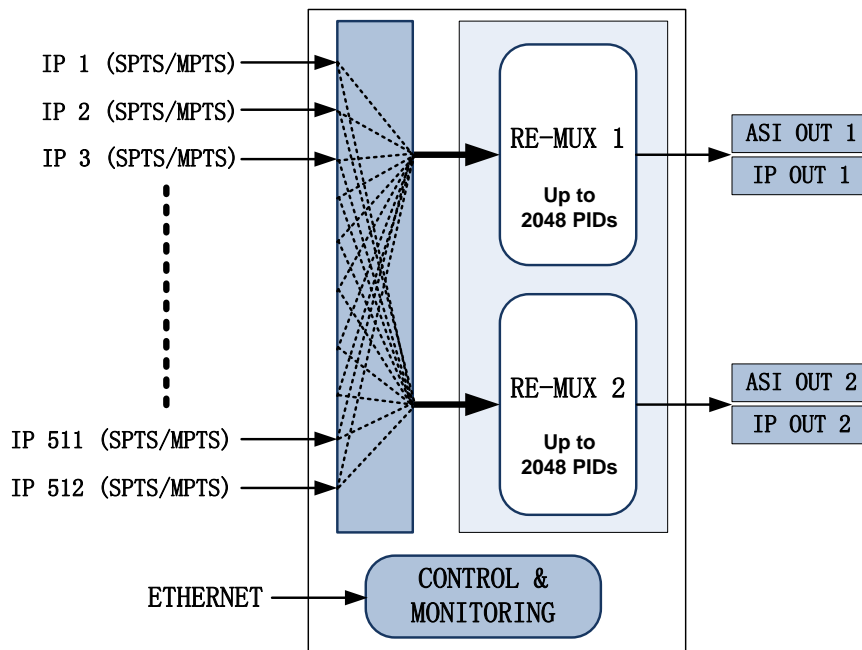
- Fully complying with ISO13818 and EN300 468 standard
- 512 IP (SPTS/MPTS) input over UDP
- 2 independent groups of ASI output (each group has 2 ports)
- 2 IP output over UDP
- Support accurate PCR adjusting
- Support PID passthrough, re-mapping, multiplex up to 2048 PIDs per out channel
- Support PSI/SI rebuilding and editing
- Huge buffer memory for saving the overflowing code stream
- LCD/keyboard and Web-based NMS management



All the specifications are subject to change without any further notice. All rights reserved.

Address: No. 10 & No. 12, Wuxing Fourth Road, Wuhou District, Chengdu 610045, Sichuan, P.R. China
www.dsdvb.com/English Tel: +86-028-85558928 Fax: +86-028-85585255 Email: sunyu@dsdvb.com

Principle Chart



Specifications

Input	IP (RJ45,GE)	512 x MPTS/SPTS, Unitcast/Multicast, UDP Protocol IGMP V2/V3
Re-multiplex	PID re-mapping (auto or manually available)	
	PCR accurate adjusting	
	Automatic generating PSI/SI table	
	PID passthrough	
	Support multiplex maximum 2048 PIDs each output channel	
Output port	ASI	2 x independent channels of ASI output (each channel has 2 ports) (up to 210Mbps)
	IP(RJ45,GE)	2 x IP (Unitcast/Multicast), UDP Protocol (up to 230Mbps)
NMS port	Ethernet port	GE
General	Dimension	482mmx410mmx44mm(WxLxH)
	Weight	2.0kg
	Temperature	0~45°C (operation), -20~80°C (storage)
	Power supply	110VAC±10%, 50/60Hz; 220VAC±10%, 50/60Hz
	Consumption	<25w