

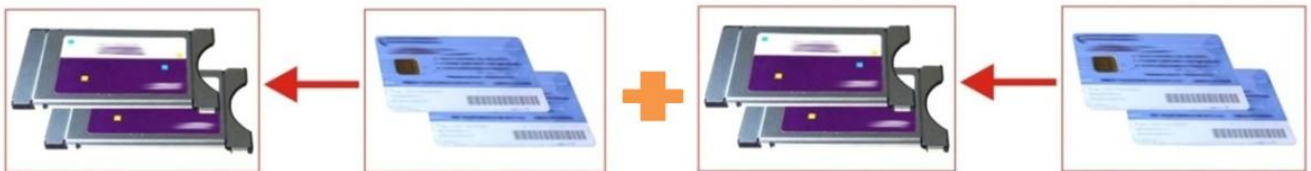


**NDS3348T**

**4 in 1 DVB-T Modulator**



**4 CI Slots = 4\*CAM + 4\*Smartcard**



### Outline

NDS3348T is a high performance and cost-effective DVB-T modulator designed by Dexin. It has 8 tuner inputs. After multiplexing and modulating process, it gives 4 DVB-T non-adjacent carriers output through one RF port. To meet customers' various requirements, this device is also equipped with data port for IP input and output over UDP and RTP. Its pluggable structure design greatly facilitates the change of modules as needed. Moreover, the four CAMs/CIs accompanied and BISS modules can descramble the input programs from 8 Tuners and IP.

NDS3348T can be upgraded and controlled through network system, which allows it widely used in digital broadcasting network and provide good signals for scientific laboratory and DVB-T STB.



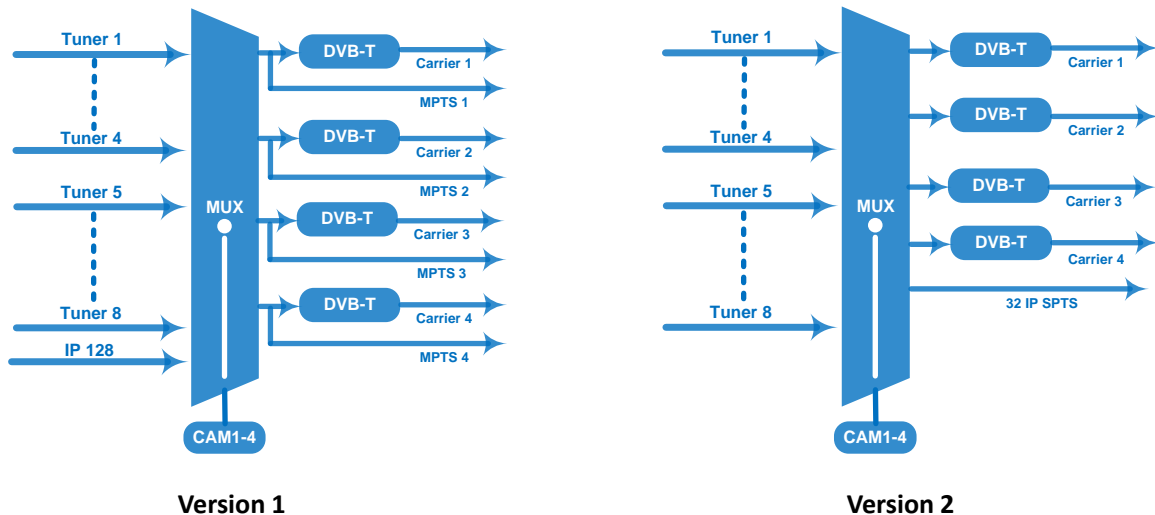
All the specifications are subject to change without any further notice. All rights reserved.

Add: No. 10 & No. 12, Wuxing Fourth Road, Wuhou District, Chengdu 610045, Sichuan, PR China  
www.dsdvb.com/English Tel: +86-028-85558928 Fax: +86-028-85585255 Email: sunyu@dsdvb.com

## Key Features

- **4 FTA Tuner (DVB-C/T/(T)/S/S2/S2X/ISDBT optional) + 4 Tuner with CAM (DVB-C/T/(T)/S/S2/S2X/ATSC/ISDBT optional)**
- **Demodulation Module (4\*RF/Loop out + 4\*CAM + 4\*Smartcard)**
- **One CAM can decrypt multiple programs from Tuners and IP**
- **128 IP input, 4 IP MPTS output (Version 1);**  
**Or: 32 SPTS IP out, without IP input or MPTS output (Version 2).**
- **4 groups multiplexing +4 groups DVB-T modulating**
- **Support BISS descrambling**
- **Support accurate PCR adjusting, PID Remapping, PSI/SI rebuilding and editing, A/V PID filtering**
- **Web-based NMS management**

## Principle Chart



## Tech Specifications

<b>Input</b>	4 Tuner (DVB-C/T/(T)/S/S2/S2X/ISDBT optional) + 4 Tuner with CAM (DVB-C/T/(T)/S/S2/S2X/ATSC/ISDBT optional); 128 IP (SPTS/MPTS) input over UDP and RTP, RJ45, 1000M/100M, Unicast/Multicast (IP input is for Version 1 only)				
<b>Tuner Section</b>	Multi-mode tuners switchable (New)	DVB-C	Input Frequency	60 ~890 MHz	
			Standard	J.83A, J.83C	J.83B
			Constellation	16/32/64/128/256 QAM	64/256 QAM
		DVB-T/(T)	Input Frequency	60 ~890 MHz	
			Bandwidth	6/7/8 M	
		ISDB-T	Input Frequency	60 ~890 MHz	
	DVB-S/S2 Tuner	DVB-S	Input Frequency	950~150MHz	
			Symbol rate	0.5~45Msps	
			Signal Strength	-65~-25dBm	
			FEC Demodulation	1/2, 2/3, 3/4, 5/6, 7/8 QPSK	
		DVB-S2	Input Frequency	950~2150MHz	
			Symbol rate	QPSK: 1~45 Msps; 8PSK: 0.5~45Msps	
			Code rate	1/2, 3/5, 2/3, 3/4, 4/5, 5/6, 8/9, 9/10	
			Constellation	QPSK, 8PSK	
	DVB-S/S2/S2X Tuner (New)	DVB-S	Input Frequency	950~2150MHz	
			Symbol rate	0.5~45Msps	
			Signal Strength	- 65- -25dBm	
			FEC	1/2, 2/3, 3/4, 5/6, 7/8	
			Constellation	QPSK	
			Max input bitrate	≤ 129 Mbps	
		DVB-S2	Input Frequency	950~2150MHz	
			Symbol rate	QPSK/8PSK /16APSK: 0.5~45 Msps 32APSK: 0.5~40Msps;	
			FEC	QPSK: 1/2, 3/5, 2/3, 3/4, 4/5, 5/6, 8/9, 9/10 8PSK: 3/5, 2/3, 3/4, 5/6, 8/9, 9/10 16APSK: 2/3, 3/4, 4/5, 5/6, 8/9, 9/10 32APSK: 3/4, 4/5, 5/6, 8/9, 9/10	
			Constellation	QPSK, 8PSK, 16APSK, 32APSK	
Max input bitrate			≤ 129 Mbps		
DVB-S2X			Input Frequency	950~2150MHz	
		Symbol rate	QPSK/8PSK /16APSK: 0.5~45 Msps 8APSK: 0.5~40Msps 32APSK: 0.5~40Msps		
		FEC	QPSK: 1/2, 3/5, 2/3, 3/4, 4/5, 5/6, 8/9, 9/10, 13/45, 9/20, 11/20 8PSK: 3/5, 2/3, 3/4, 5/6, 8/9, 9/10 8APSK: 5/9-L, 26/45-L		

			16APSK: 2/3, 3/4, 4/5, 5/6, 8/9, 9/10, 1/2-L, 8/15-L, 5/9-L, 26/45, 3/5, 3/5-L, 28/45, 23/36, 2/3-L, 25/36, 13/18, 7/9, 77/90 32APSK: 3/4, 4/5, 5/6, 8/9, 2/3-L, 32/45, 11/15, 7/9
		Constellation	QPSK, 8PSK, 8APSK, 16APSK, 32APSK
		Max input bitrate	≤129 Mbps
	ATSC-T	Input Frequency	54~858MHz
		Bandwidth	6M
<b>Descrambling</b>	CAM/CI	4 sets	
<b>BISS Descrambling</b>	Mode 1, Mode E (descramble individual program)		
<b>Multiplexing</b>	Maximum PID Remapping	256 per input channel	
	Function	A/V PID filtering	
		PID Remapping	
		Accurate PCR adjusting	
		Generate PSI/SI table automatically	
<b>Modulation</b>	DVB-T	Standard	EN300744
		FFT mode	2K
		Bandwidth	6M, 7M, 8M
		Constellation	QPSK, 16QAM, 64QAM
		Guard Interval	1/4, 1/8, 1/16, 1/32
		Code Rate	1/2, 2/3, 3/4, 5/6, 7/8
		MER	≥42 dB
		RF frequency	50~960MHz, 1KHz step
		RF out	4*DVB-T non-adjacent carriers combined output, 40M total bandwidth limitation
		RF output level	-28~ -3 dBm (79~104 dbμV), 0.1db step
<b>Stream out</b>	UDP and RTP protocol (RJ45, 1000M/100M Unicast/Multicast) 4*MPTS out --- Version 1 ; 32*SPTS out ---Version 2		
<b>System</b>	Web-based NMS support		
	Ethernet software upgrading		
<b>General</b>	Dimension	482mm×300mm×44.5mm (W*D*H)	
	Temperature	0~45℃(Operation) ; -20~80℃(Storage)	
	Power	AC 100V±10%/50/60Hz; AC 220V±10%, 50/60HZ	

## Order Guide

	Version 1	Version 2
IP input	128 SPTS/MPTS input	N/A
IP output	4 MPTS output	32 SPTS output

Updated date: Oct, 2019



All the specifications are subject to change without any further notice. All rights reserved.

Add: No. 10 & No. 12, Wuxing Fourth Road, Wuhou District, Chengdu 610045, Sichuan, PR China

www.dsdb.com/English Tel: +86-028-85558928 Fax: +86-028-85585255 Email: sunyu@dsdb.com