



**NDS3595H**

**DVB-S/S2 HD IRD**

**DVB-S/S2 RF → HDMI/CVBS/YPbPr**



**Demodulation + Biss and CA descrambler  
+ decoder module in one box**

## Key Features

- 1 Tuner input (DVB-S/S2)
- Demodulation Module = 1\*RF/Loop out + 2\*CAM + 2\*Smartcard
- 1HDMI, 1 CVBS and 1 YPbPr output
- 1 USB for upgrade
- IP (1 MPTS) over UDP output
- Support ASI out



All the specifications are subject to change without any further notice. All rights reserved.

Add: No. 10 & No. 12, Wuxing Fourth Road, Wuhou District, Chengdu 610045, Sichuan, PR China  
www.dsdvb.com/English Tel: +86-028-85558928 Fax: +86-028-85585255 Email: sunyu@dsdvb.com

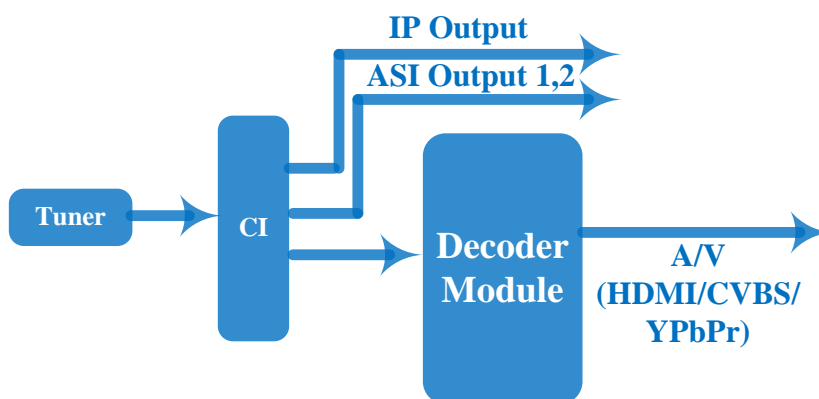
- LCD display, Remote control and Firmware, web NMS management
- Updates via Networkupdate software (above version 1.52)
- Best quality and breakthrough price

## Product Introduction

NDS3595H HD IRD is DEXIN's all-in-one device which integrates demodulation, de-scrambler and decoding (DVB-S/S2) in one case to convert RF signals into analogue signal (CVBS, YPbPr) and digital AV (HDMI) output.

It supports 1 tuner input, and the CAM/CI accompanied with tuner to descramble the encrypted RF signals. The CAM requires no unsightly external power cords, cables, or additional remote control device. BISS function is also embedded to descramble programs from input. To meet customers' various requirements, NDS3595H is also equipped with 2 ASI output ports and IP port.

## Principle Chart



## Technical Specifications

<b>Input</b>	1 x RF (DVB-S/S2), F type		
<b>Tuner Section (DVB-S/S2)</b>	Input Frequency	950-2150MHz	
	Symbol rate	QPSK 1~45Mbauds; 8PSK 2~30Mbauds	
	Code rate	1/2, 3/5, 2/3, 3/4, 4/5, 5/6, 8/9, 9/10	
	Constellation	QPSK, 8PSK	
<b>Output</b>	IP Output	1*MPTS over UDP. 100Base-T Ethernet interface (unicast / multicast)	
	2 x ASI	BNC interface	
	Video Output	Video Interface	1xHDMI, 1xCVBS (RCA), 1xYPbPr



All the specifications are subject to change without any further notice. All rights reserved.

Add: No. 10 & No. 12, Wuxing Fourth Road, Wuhou District, Chengdu 610045, Sichuan, P.R. China  
 www.dsdvb.com/English Tel: +86-028-85558928 Fax: +86-028-85585255 Email: sunyu@dsdvb.com

	Audio Interface	1 x Stereo/mono (RCA), 1xHDMI
	Resolution	480i, 480P, 576i, 576P, 720p@50, 720p@60; 1080i@50, 1080i@60; 1080p@50, 1080p@60
	Decode	Vedio: MPEG-2, MPEG-4 AVC/H.264,AVS/AVS+ Audio: MPEG 1 Layer II, LC-AAC, HE-AAC, AC3, DRA
<b>System</b>	Local interface	LCD + control buttons
	Remote management	Web NMS Management
	Language	English
<b>General</b>	Power supply	DC 12V
	Dimensions	312*165*42mm
	Weight	1.5 kg
	Operation temperature	0~45°C

### System Connection Sample

