



NDS3595

DVB-S/S2 SD IRD

DVB-S/S2 RF → CVBS



**Demodulation + Biss and CA descrambler
+ decoder module in one box**

Key Features

- 1 Tuner input (DVB-S/S2)
- Demodulation Module = 1*RF/Loop out + 2*CAM + 2*Smartcard
- 1 or 2 CVBS video output optional
- IP (1 MPTS) over UDP and RTP output
- Support ASI out
- LCD display, Remote control and Firmware, web NMS management
- Updates via web
- Best quality and breakthrough price



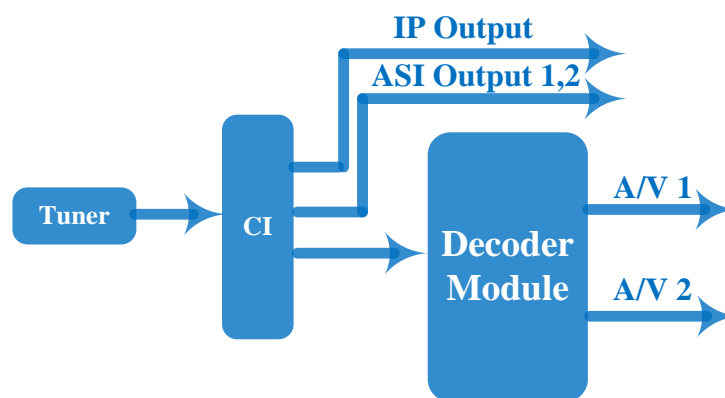
All the specifications are subject to change without any further notice. All rights reserved.

Add: No. 10 & No. 12, Wuxing Fourth Road, Wuhou District, Chengdu 610045, Sichuan, P.R. China
www.dsdvb.com/English Tel: +86-028-85558928 Fax: +86-028-85585255 Email: sunyu@dsdvb.com

Product Introduction

NDS3595 SD IRD is DEXIN's all-in-one device which integrates demodulation, de-scrambler and decoding (DVB-S/S2) in one case to convert RF signals into analogue video (CVBS) output. It supports 1 tuner input, and the CAM/CI accompanied with tuner to descramble the encrypted RF signals. The CAM requires NO unsightly external power cords, cables, or additional remote control device. BISS function is also embedded to descramble programs from input. To meet customers' various requirements, NDS3595 is also equipped with 2 ASI output ports and IP port.

Principle Chart



Technical Specifications

Input	1 x RF (DVB-S/S2), F type			
Tuner Section (DVB-S/S2)	Input Frequency	950-2150MHz		
	Symbol rate	QPSK 1~45Mbauds; 8PSK 2~30Mbauds		
	Code rate	1/2, 3/5, 2/3, 3/4, 4/5, 5/6, 8/9, 9/10		
	Constellation	QPSK, 8PSK		
Output	IP Output	1*MPTS over UDP and RTP. 100Base-T Ethernet interface (unicast / multicast)		
	2xASI	BNC interface		
	Video Output	Video Interface	2xCVBS (RCA)	
		Audio Interface	2 x Stereo/4 x mono (RCA)	
		Resolution	PAL 576i, NTSC 480i	
		Decode	Video:MPEG-2 MP@ML Audio: MPEG 1 layer II	
System	Local interface	LCD + control buttons		
	Remote management	Web NMS Management		
	Language	English		

General	Power supply	DC12V
	Dimensions	250*165*42mm
	Weight	1 kg
	Operation temperature	0~45°C

System Connection Sample

