



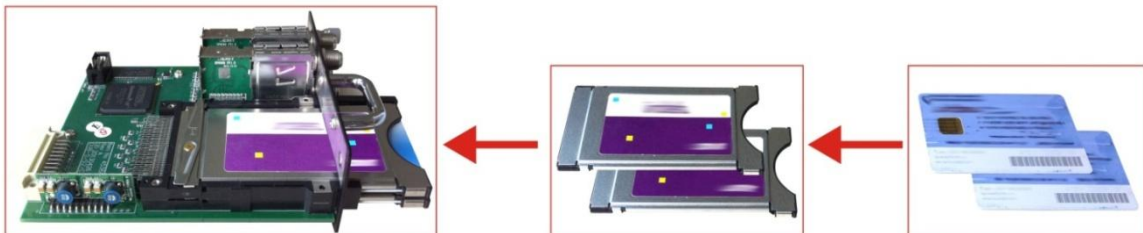
NDS358xB

2-in-1 DVB-C, (T), S/S2 IRD

DVB-C, (T), S/S2 RF → ASI/IP



Demodulation Module = 2*RF/Loop out + 2*CAM + 2*Smartcard



Product Introduction

NDS358xB IRD is DEXIN's new design which integrates demodulation (DVB-C, (T), S/S2 optional) and de-scrambler in one case to convert RF signals into TS output.

It is a 1-U case which supports 2 tuner inputs, 1 ASI input, 4 ASI out and IP in and out. The 2 CAMs/CIs accompanied can descramble the programs input from encrypted RF, ASI and IP. The CAM requires NO unsightly external power cords, cables, or additional remote control device.

Its pluggable structure design greatly facilitates the change of Tuner modules as needed.



All the specifications are subject to change without any further notice. All rights reserved.

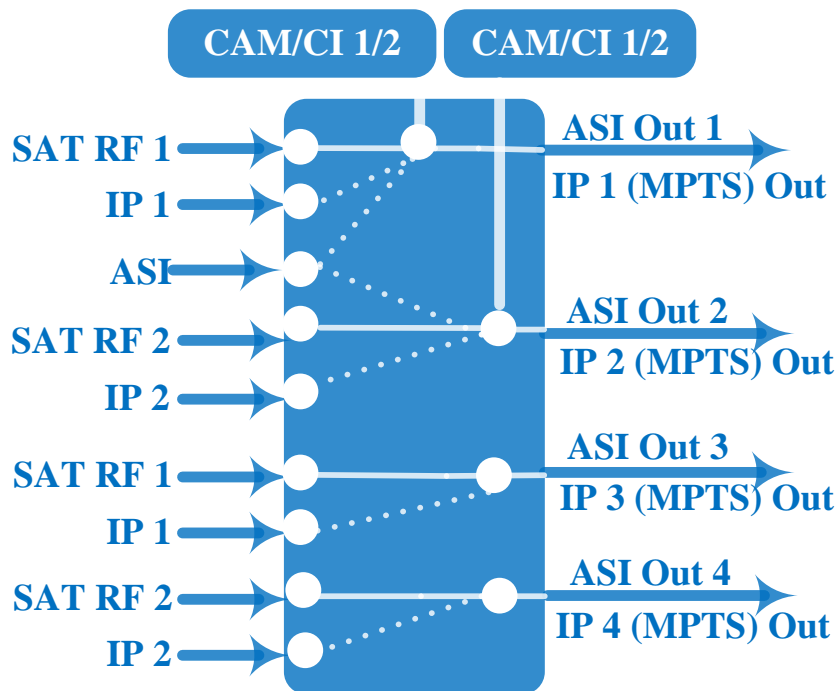
Add: No. 10 & No. 12, Wuxing Fourth Road, Wuhou District, Chengdu 610045, Sichuan, P.R. China

www.dsdbv.com | English Tel: +86-028-85558928 Fax: +86-028-85585255 Email: sunyu@dsdbv.com

Key Features

- 2 Tuner inputs (DVB-C, (T), S/S2 optional), 1 ASI input, 2 IP input
- CAM can decrypt multiple programs from Tuners/ASI/IP
- IP (4 MPTS) over UDP and RTP/RTSP output
- 2 ASI out for descrambled TS from tuner/IP/ASI; 2 ASI out for tuner/IP passthrough (one-to-one)
- LCD display, Remote control and Firmware, web NMS management
- Updates via web
- Best quality and breakthrough price

Principle Chart



ASI Out 1&2 are designed to output descrambled TS from tuner 1/2, ASI or IP 1-2
ASI Out 3&4 are designed to passthrough TS from tuner 1/2 or IP 1-2
4 MPTS are designed to mirror 4 ASI out

Technical Specifications

Input

2x RF (DVB-C, (T), S/S2 optional), F type
 1xASI input, BNC interface
 2xIP input (UDP)

Tuner Section

DVB-C

Standard J.83A(DVB-C), J.83B, J.83C
 Input Frequency 47 MHz~860 MHz
 Constellation 16/32/64/128/256 QAM

DVB-(T)

Input Frequency 44-1002 MHz
 Bandwidth 6M, 7M, 8M

DVB-S

Input Frequency 950-2150MHz
 Symbol rate 2-45MSPS
 Signal Strength - 65- -25dBm
 Constellation 1/2, 2/3, 3/4, 5/6, 7/8 QPSK

DVB-S2

Input Frequency 950-2150MHz
 Symbol rate QPSK 1~45Mbauds;
 8PSK 2~30Mbauds
 Code rate 1/2, 3/5, 2/3, 3/4, 4/5, 5/6,

8/9, 9/10

Constellation QPSK, 8PSK

Output

4*MPTS over UDP, RTP/RTSP.
 IP 100M Base-T Ethernet interface (unicast / multicast)
 4 BNC interface
 (ASI out 1-2 are for descrambled TS from RF1-2/IP 1-2/ASI input;
 ASI out 3-4 for RF1-2/IP 1-2 input passthrough)

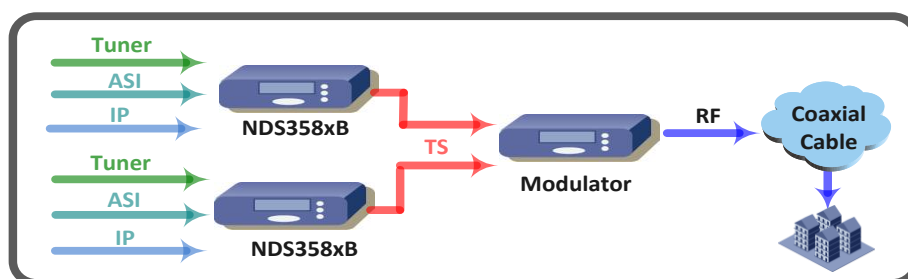
System

Local interface LCD + control buttons
 Remote management Web NMS Management
 Language English

General

Power supply AC 100V~240V
 Dimensions 482*300*44.5mm
 Weight 2.5 kgs
 Operation temperature 0~45°C

System Connection Sample



Ordering Guide

NDS358xB, 'x' should be interpreted as different digits which indicate tuners of different standard.

- ✓ NDS3581B DVB-C IRD
- ✓ NDS3584B DVB-(T) IRD
- ✓ NDS3585B DVB-S/S2 IRD