



NDS356xL

HD IRD with Low Latency



Product Introduction

NDS356xL HD IRD is DEXIN's all-in-one device which integrates demodulation, de-scrambler, re-mux and decoding in one case to convert RF signals into audio/video (CVBS /YpbPr /HDMI) output.

It is a 1-U case which supports 1 tuner inputs to receive signal from satellite, cable or terrestrial devices. The two CAMs/CIs accompanied and BISS modules can descramble the programs input from encrypted RF.

Its pluggable structure design greatly facilitates the change of modules (demodulator or decoder) as needed.

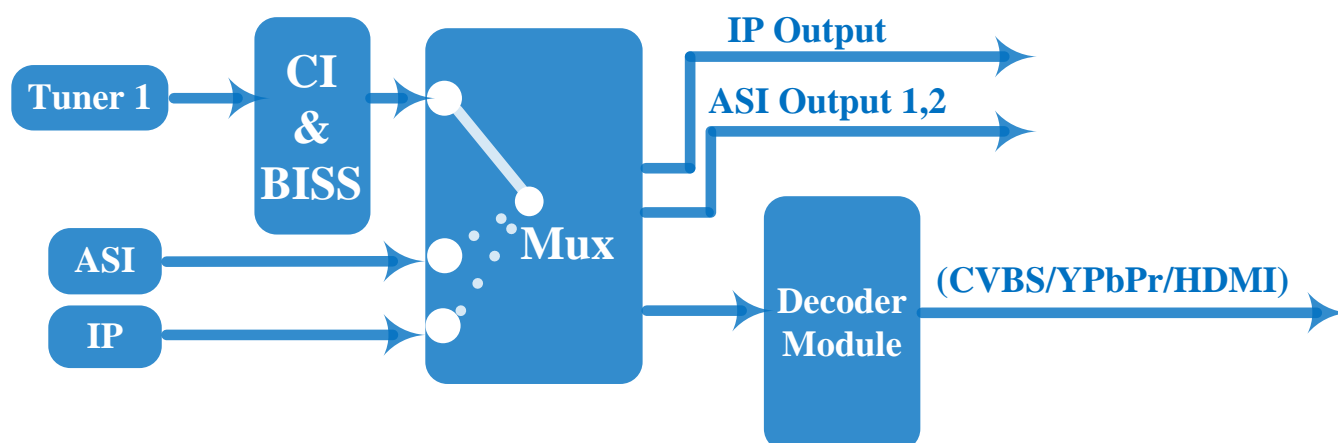
To meet customers' various requirements, NDS356xL is also equipped with ASI and IP input for re-mux, and output with 2 ASI ports and IP port.

Key Features

- **Demodulation + descrambler +re-mux+decoder modules in one box**
- **1 DVB-C/T/T2/S/S2/ATSC-T Tuner inputs optional**

- 1 ASI & 1 IP (UDP) input for re-mux
- One CAM can decrypt multiple programs from Tuners
- Support BISS descrambling (Up to 120Mbps)
- Support MPEG2 and MPEG4 AVC/H.264 decoding
- IP (1 MPTS & 8 SPTS) over UDP and RTP/RTSP output; ASI out
- Support maximum 128 PID mapping per input
- Support low latency function
- Pluggable and changeable demodulator and decoder modules
- LCD display, Remote control and Firmware, web NMS management
- Updates via web

Principle Chart



Technical Specifications

Input	
1 x Tuner, F type	
1xASI input for re-mux, BNC interface	
1xIP input for re-mux (UDP)	
Demodulating Section	
DVB-C	
Standard	J.83A(DVB-C), J.83B, J.83C
Input Frequency	30 MHz~1000 MHz
Constellation	16/32/64/128/256 QAM
DVB-T/T2	
Input Frequency	30MHz ~999.999 MHz
Bandwidth	6/7/8 M bandwidth
DVB-S	
Input Frequency	950-2150MHz

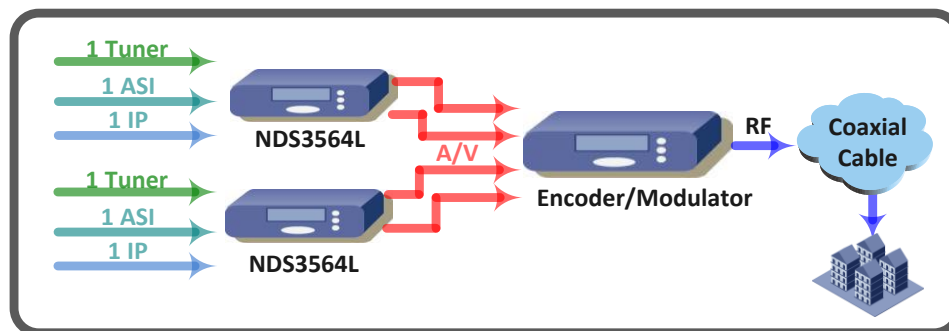
Symbol rate	2-45Mps
Signal Strength	- 65- -25dBm
Constellation	1/2, 2/3, 3/4, 5/6, 7/8 QPSK
DVB-S2 (Version 1)	
Input Frequency	950-2150MHz
Code rate	1/2, 3/5, 2/3, 3/4, 4/5, 5/6, 8/9, 9/10
Constellation	QPSK, 8PSK
Symbol rate	QPSK 1~45Mps; 8PSK 2~30Mps
DVB-S2 (Version 2)	
Input Frequency	950-2150MHz
Code rate	1/2, 3/5, 2/3, 3/4, 4/5, 5/6, 8/9, 9/10



All the specifications are subject to change without any further notice. All rights reserved.

Constellation	QPSK, 8PSK, 16APSK, 32APSK	Chroma: 4:2:0
Symbol rate	QPSK 1~45 Msps; 8PSK 2~30 Msps; 16APSK 1~45 Msps; 32APSK 1-32 Msps	Audio Interface: 2 x Stereo/4xmono, HDMI Audio Decode: MPEG 1 Layer II, LC-AAC, HE-AAC Audio Output Mode: Left, Right, Stereo,
ATSC-T		Low Latency 240Ms-320Ms
Input Frequency	54MHz~858MHz	System
Bandwidth	6M bandwidth	Local interface LCD + control buttons
Descrambling		Remote management Web-server Management
CAM/CI Quantity	2	Language English
BISS Mode	Mode 1, Mode E; up to 120Mbps	Upgrade USB, web management
Output		General
IP Output	1*MPTS & 8*SPTS over UDP, RTP/RTSP. 100Base-T Ethernet interface (unicast / multicast)	Power supply AC 100V~240V
2xASI	BNC interface, mirrored out Video Interface: 1xCVBS/YPbPr/HDMI Video Decode: MPEG-2;	Dimensions 482*300*44.5mm
Decode	MPEG4 AVC/H.264	Weight 3.5 kgs
Output	Resolution: 480i, 480p, 576i, 576p, 720p@50/59.94/60, 1080i@50/59.94/60	Operation temperature 0~45°C

System Connection Sample



Ordering Guide

NDS356xL, 'x' should be interpreted as different digits which indicate tuners of different standard.

- ✓ NDS3561L DVB-C HD IRD
- ✓ NDS3564L DVB-T/T2 HD IRD
- ✓ NDS3565L DVB-S/S2 HD IRD
- ✓ NDS3567L ATSC-T HD IRD