



NDS356xH

HD IRD

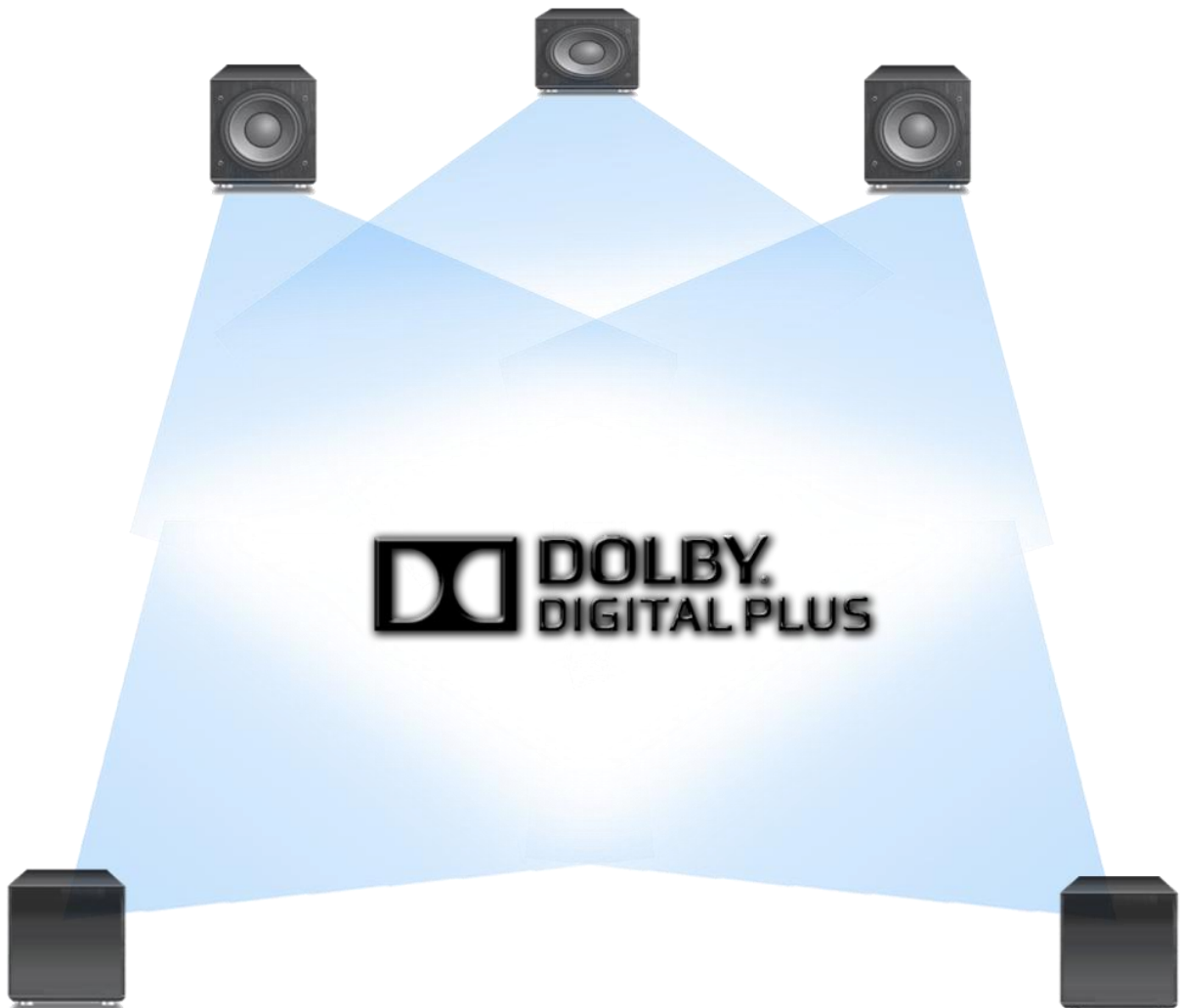


Dolby Digital/Dolby Digital Plus(5.1) audio decoding

2 stereo/4 mono audio output

CAM/CI, BISS descrambling

Support CC and Subtitle



Product Introduction

NDS356xH HD IRD is DEXIN's all-in-one device which integrates demodulation, de-scrambler, re-mux and decoding in one case to convert RF signals into audio/video (CVBS /YpbPr /HDMI /SDI) output.

It is a 1-U case which supports 2 tuner inputs to receive signal from satellite, cable or terrestrial devices. The two CAMs/CIs accompanied and BISS modules can descramble the programs input from encrypted RF, ASI and IP.

Its pluggable structure design greatly facilitates the change of modules (demodulator or decoder) as needed.

To meet customers' various requirements, NDS356xH is also equipped with ASI and IP input for re-mux, and output with 2 ASI ports and IP port.

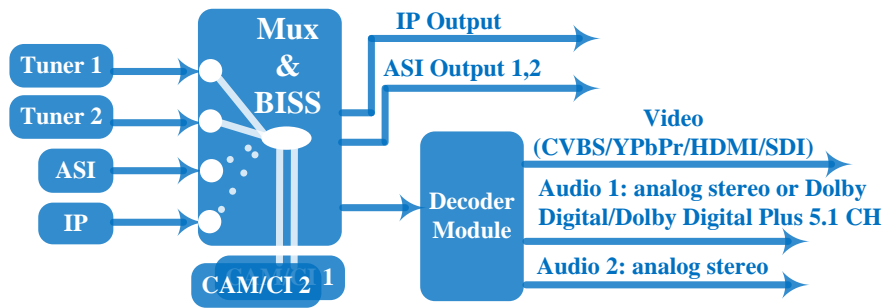
Key Features

- Demodulation + descrambler +re-mux+decoder modules in one box
- 2 DVB-C/(T)/S/S2/ATSC-T Tuner inputs optional
- 1 ASI & 1 IP (UDP) input for re-mux
- One CAM can decrypt multiple programs from Tuners/ASI/IP
- Support BISS descrambling (Up to 120Mbps)
- Support MPEG2 and MPEG4 AVC/H.264 decoding
- Dual channel stereo audio output, or one channel Dolby Digital/Dolby Digital Plus (5.1) channel output (for HDMI/SDI out)
- Support Dolby Digital/Dolby Digital Plus Decoding and passthrough
- IP (1 MPTS & 8 SPTS) over UDP and RTP/RTSP output; ASI out
- Support CC and Subtitle
- Support maximum 128 PID mapping per input
- Pluggable and changeable demodulator and decoder modules
- LCD display, Remote control and Firmware, web NMS management
- Updates via web

Principle Chart



All the specifications are subject to change without any further notice. All rights reserved.

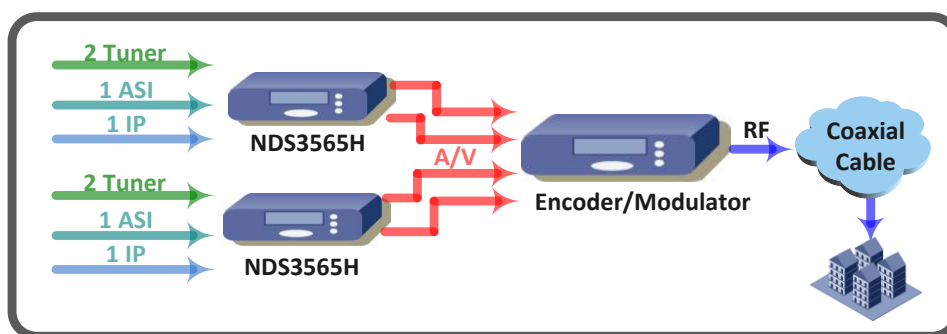


Technical Specifications

Input	
2 x Tuner, F type	
1xASI input for re-mux, BNC interface	
1xIP input for re-mux (UDP)	
Demodulating Section	
DVB-C	
Standard	J.83A(DVB-C), J.83B, J.83C
Input Frequency	30 MHz~1000 MHz
Constellation	16/32/64/128/256 QAM
DVB-(T)	
Input Frequency	30MHz ~999.999 MHz
Bandwidth	6/7/8 M bandwidth
DVB-S	
Input Frequency	950-2150MHz
Symbol rate	1-45Msps
Signal Strength	- 65- -25dBm
Constellation	1/2, 2/3, 3/4, 5/6, 7/8 QPSK
DVB-S2 (Version 1)	
Input Frequency	950-2150MHz
Code rate	1/2, 3/5, 2/3, 3/4, 4/5, 5/6, 8/9, 9/10
Constellation	QPSK, 8PSK
Symbol rate	QPSK/8PSK 1~45Msps
DVB-S2 (Version 2)	
Input Frequency	950-2150MHz
Code rate	1/2, 3/5, 2/3, 3/4, 4/5, 5/6, 8/9, 9/10
Constellation	QPSK, 8PSK, 16APSK, 32APSK
Symbol rate	QPSK 1~45 Msps; 8PSK 1~45 Msps; 16APSK 1~45 Msps; 32APSK 1-32 Msps
ATSC-T	

Input Frequency	54MHz~858MHz
Bandwidth	6M bandwidth
Descrambling	
CAM/CI Quantity	2
BISS Mode	Mode 1, Mode E; up to 120Mbps
Output	
IP Output	1*MPTS & 8*SPTS over UDP, RTP/RTSP. 100Base-T Ethernet interface (unicast / multicast)
2xASI	BNC interface, mirrored out
Video Interface: 1xCVBS/YPbPr/HDMI/SDI Video Decode: MPEG-2; MPEG4 AVC/H.264 Resolution: 480i, 480p, 576i, 576p, 720p@50/59.94/60, 1080i@50/59.94/60	
Decode	Chroma: 4:2:0
Output	Audio Interface: 2 x Stereo/4xmono, HDMI, SDI Audio Decode: MPEG 1 Layer II, LC-AAC, HE-AAC, Dolby Digital/ Dolby Digital Plus Audio Output Mode: Left, Right, Stereo, 5.1 CH (for HDMI/SDI out only)
System	
Local interface	LCD + control buttons
Remote management	Web-server Management
Language	English
Upgrade	USB, web management
General	
Power supply	AC 100V~240V
Dimensions	482*300*44.5mm
Weight	3.5 kgs
Operation temperature	0~45°C

System Connection Sample



Ordering Guide

NDS356xH, 'x' should be interpreted as different digits which indicate tuners of different standard.

- ✓ NDS3561H DVB-C HD IRD
- ✓ NDS3564H DVB-(T) HD IRD
- ✓ NDS3565H DVB-S/S2 HD IRD
- ✓ NDS3567H ATSC-T HD IRD