



**NDS358X**

**4-in-1 IRD**

**DVB-C, T/(T), ISDBT, S/S2/S2X RF → ASI/IP**



**4 CI Slots = 4\*CAM + 4\*Smartcard**



### Product Introduction

NDS358X IRD is DEXIN's new design which integrates demodulation (DVB-C, T/(T), ISDBT, S/S2/S2X optional), de-scrambler and multiplexing in one case to convert RF signals into TS output.

It is a 1-U case which supports 4 tuner inputs, 1 ASI and IP. The 4 CAMs/CIs accompanied can descramble the programs input from encrypted RF, ASI and IP. The CAM requires NO unsightly external power cords, cables, or additional remote control device. BISS function is also embedded to descramble programs from any input.

To meet customers' various requirements, NDS358X is also designed to de-mux programs from any input, and output TS over 48 SPTS & 4 MPTS UDP, RTP/RTSP.

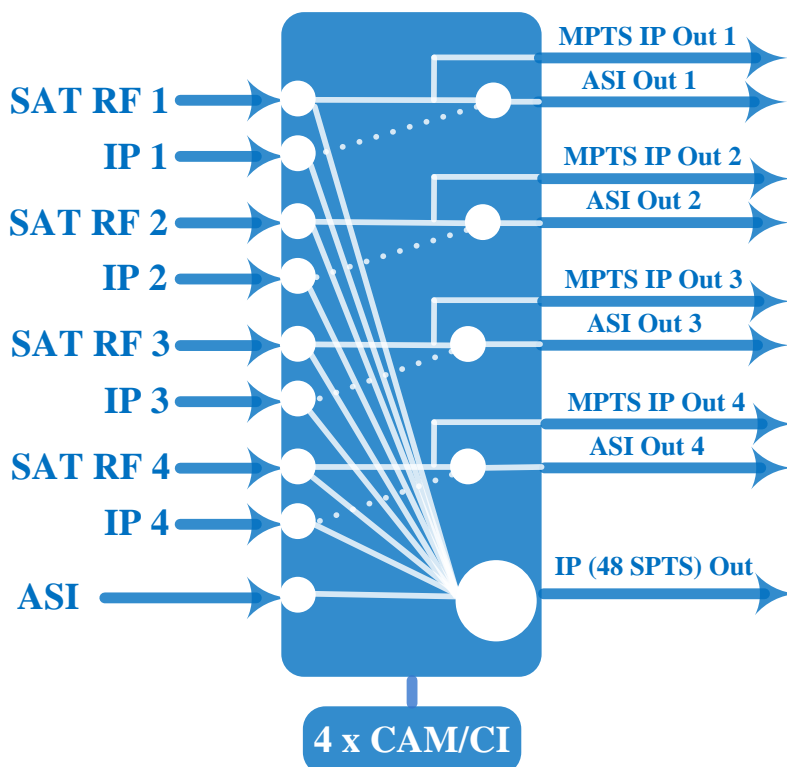


All the specifications are subject to change without any further notice. All rights reserved.

## Key Features

- 4 Tuner inputs (DVB-C/T/(T)/ISDBT/S/S2/S2X optional)
- 1 ASI & 4 IP (UDP) input
- One CAM can decrypt multiple programs from Tuners/ASI/IP
- Support BISS descrambling(Up to 120 Mbps)
- IP (48 SPTS, 4 MPTS) over UDP and RTP/RTSP output;
- 4 groups of independent ASI out for tuner/IP passthrough (one-to-one)
- Support maximum 128 PID mapping per input
- Support Diseqc function
- LCD display, Remote control and Firmware, web NMS management
- Updates via web
- High quality and breakthrough price

## Principle Chart



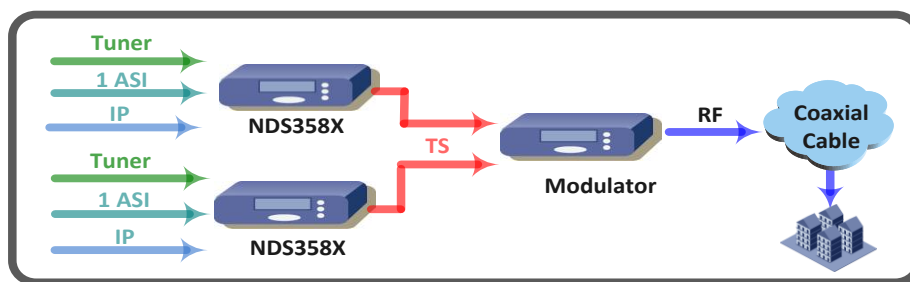
Choose 4 channels from the 9 inputs to descramble  
CI 1 & 2 are designed to descramble tuner 1/2, ASI or IP 1-4.  
CI 3 & 4 are designed to descramble tuner 3/4, ASI or IP 1-4.  
ASI out and MPTS IP out are for passthrough RF/IP inputs one to one.

## Technical Specifications

<b>Input</b>	4* Tuner input (DVB-C, T/(T), ISDBT, S/S2/S2X optional), F type					
	1*ASI input for re-mux, BNC interface					
4*IP input for bypass and de-mux (UDP)						
<b>Tuner Section</b>	Multi-mode tuners switchable (New)	DVB-C	Input Frequency	60 ~890 MHz		
			Standard	J.83A, J.83C	J.83B	
			Constellation	16/32/64/128/256 QAM	64/256 QAM	
		DVB-T/(T)	Input Frequency	60 ~890 MHz		
			Bandwidth	6/7/8 M		
		ISDB-T	Input Frequency	60 ~890 MHz		
		Version 1	DVB-S	Input Frequency	950~2150MHz	
				Symbol rate	1~45 Msps	
				FEC	1/2, 2/3, 3/4, 5/6, 7/8	
	Constellation			QPSK		
	Signal Strength			- 65- -25dBm		
	Max input bitrate			≤120 Mbps		
	DVB-S2		Input Frequency	950~2150MHz		
			Symbol rate	1~45 Msps		
			FEC	1/2, 3/5, 2/3, 3/4, 4/5, 5/6, 8/9, 9/10		
			Constellation	QPSK, 8PSK		
	Max input bitrate	≤120 Mbps				
	Version 2 (New)	DVB-S	Input Frequency	950~2150MHz		
			Symbol rate	0.5~45Msps		
			Signal Strength	- 65- -25dBm		
			FEC	1/2, 2/3, 3/4, 5/6, 7/8		
			Constellation	QPSK		
			Max input bitrate	≤160 Mbps		
		DVB-S2	Input Frequency	950~2150MHz		
			Symbol rate	QPSK/8PSK /16APSK :0.5~45 Msps 32APSK: 0.5~40Msps;		
			FEC	QPSK: 1/2, 3/5, 2/3, 3/4, 4/5, 5/6, 8/9, 9/10 8PSK: 3/5, 2/3, 3/4, 5/6, 8/9, 9/10 16APSK: 2/3, 3/4, 4/5, 5/6, 8/9, 9/10 32APSK: 3/4, 4/5, 5/6, 8/9, 9/10		
			Constellation	QPSK, 8PSK, 16APSK, 32APSK		
Max input bitrate			≤160 Mbps			
DVB-S2X			Input Frequency	950~2150MHz		
		Symbol rate	QPSK/8PSK /16APSK :0.5~45 Msps 8APSK: 0.5~40Msps 32APSK: 0.5~40Msps			
		FEC	QPSK: 1/2, 3/5, 2/3, 3/4, 4/5, 5/6, 8/9, 9/10, 13/45, 9/20, 11/20 8PSK: 3/5, 2/3, 3/4, 5/6, 8/9, 9/10 8APSK: 5/9-L, 26/45-L			

				16APSK: 2/3, 3/4, 4/5, 5/6, 8/9, 9/10, 1/2-L, 8/15-L, 5/9-L, 26/45, 3/5, 3/5-L, 28/45, 23/36, 2/3-L, 25/36, 13/18, 7/9, 77/90 32APSK: 3/4, 4/5, 5/6, 8/9, 2/3-L, 32/45, 11/15, 7/9
			Constellation	QPSK, 8PSK, 8APSK, 16APSK, 32APSK
			Max input bitrate	≤160 Mbps
<b>Descrambling</b>	CAM/CI Quantity	4		
	BISS Mode	Mode 1, Mode E (up to 120Mbps)		
<b>Output</b>	48*SPTS over UDP, RTP/RTSP. 1000M Base-T Ethernet interface (unicast/multicast) 4*MPTS over UDP, RTP/RTSP. 1000M Base-T Ethernet interface, for RF in passthrough (one-to-one)			
	4 groups BNC interface, for RF or IP in passthrough (one-to-one)			
<b>System</b>	Local interface	LCD + control buttons		
	Remote management	Web-server Management		
	Language	English		
	Upgrade	USB, web management		
<b>Miscellaneous</b>	Dimension	482*300*44.5mm (W×L×H)		
	Approx weight	3.5kg		
	Environment	0~45°C(work); -20~80°C (Storage)		
	Power requirements	100~240VAC, 50/60Hz		
	Power consumption	20W		

## System Connection Sample



## Ordering Guide

NDS358X, 'X' should be interpreted as different digits which indicate tuners of different standard.

- ✓ NDS3581 DVB-C IRD
- ✓ NDS3584 DVB-T/(T) IRD
- ✓ NDS3585 DVB-S/S2 IRD

Updated Date: 17 May, 2019