



NDS3507Tx Tuner/ASI to IP Gateway

NDS3507Tx Tuner to IP Gateway



NDS3507Tx ASI to IP Gateway



Outline

NDS3507Tx Tuner (or ASI) to IP gigabits IP Gateway is a head-end interface conversion device which is used for DVB and Ethernet. It is integrated with tuner demodulation (or ASI input) and gateway function, which can demodulate the signal from 8 tuners into TS and packet the TS into IP package, or directly convert the TS from ASI input into IP package, then output the IP package through different IP address and ports. It supports TS over UDP protocol.

BISS function is now embedded for tuner input to descramble your tuner input programs.

Features

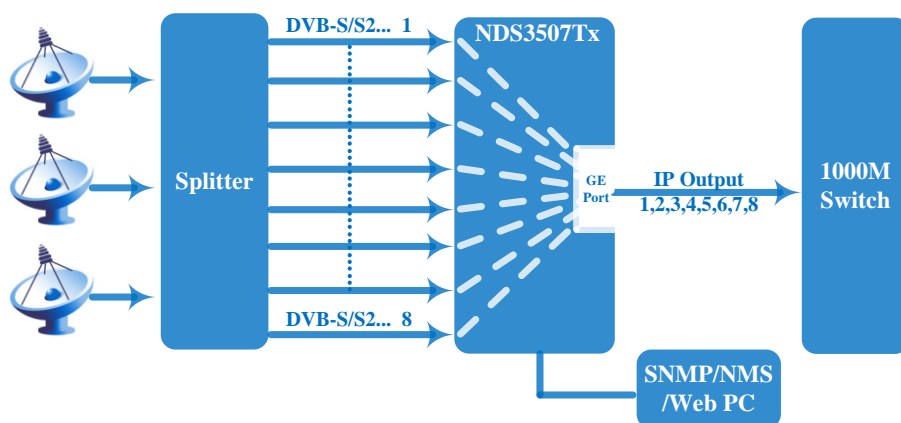
- Integrate demodulation, BISS descrambling and gateway function
- Support 8 channels tuner (DVB-S/-S2/-C/-(T) /ISDB-T/ATSC optional) input (or 8 ASI input) and 8 IP output
- Support MPEG-2 and MPEG-4 TS to IP one way conversion
- Support BISS descrambling (Max up to 512 PID)----For Tuner input
- 1 GE output (support parallel 1 Gbps data output channel)
- Support maximum 8 tuner to IP converting channel, the maximum output bit-rate is 800Mbps
- Support 8 MPTS over UDP protocol, unicast and multicast
- Support LCD display and keyboard
- Support NMS/SNMP/Web management

Specifications

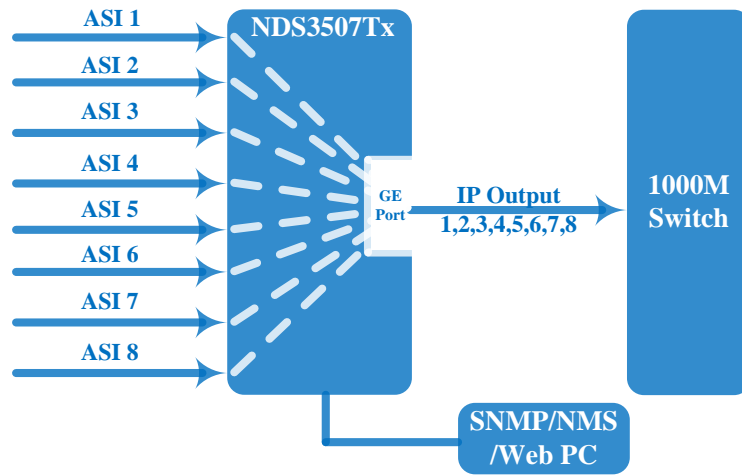
Interface	Input	8 RF & 8 RF loop-out (DVB-S/S2/-C/-(T)/ISDB-T/ATSC optional) — NDS3507Tx Tuner input		
		8 ASI — NDS3507Tx ASI input		
	Output	1 GE output, 8 MPTS over UDP protocol, unicast and Multicast		
Demodulating Section	DVB-C	Standard	J.83A(DVB-C), J.83B, J.83C	
		Frequency In	30 MHz~1000 MHz	
		Constellation	16/32/64/128/256 QAM	
	DVB-(T)	Frequency In	30MHz ~999.999 MHz	
		Bandwidth	6/7/8 M bandwidth	
	DVB-S	Frequency In	950-2150MHz	
		Symbol rate	1-45Msp/s	
		Signal Strength	- 65- -25dBm	
		Constellation	1/2, 2/3, 3/4, 5/6, 7/8 QPSK	
	DVB-S2 (Version 1)	Frequency In	950-2150MHz	
		Symbol rate	1~45 Msps	
		FEC	1/2, 3/5, 2/3, 3/4, 4/5, 5/6, 8/9, 9/10	
		Constellation	QPSK, 8PSK	
	DVB-S2 (Version 2)	Frequency In	950-2150MHz	
		FEC	1/2, 3/5, 2/3, 3/4, 4/5, 5/6, 8/9, 9/10	
Symbol rate		Constellation	FEC	

			QPSK, 8PSK		1~45 Msps
			16APSK	2/3	1~45 Msps
				3/4	1~41 Msps
				4/5	1~38 Msps
				5/6	1~37 Msps
				8/9	1~35 Msps
				9/10	1~35 Msps
			32APSK	3/4	1~32 Msps
				4/5	1~31 Msps
				5/6	1~30 Msps
				8/9	1~28 Msps
				9/10	1~28 Msps
	ISDB-T	Input Frequency	30-1000MHz		
	ATSC	Input Frequency	54MHz~858MHz		
		Bandwidth	6M bandwidth		
Transmission Bit-rate		Maximum total bit-rate is 800Mbps			
BISS Mode		Mode 1, Mode E			
General	Dimension	482mm×410mm×44mm (W×L×H)			
	Weight	3.6kg			
	Temperature	0~45℃(working), -20~80℃(storage)			
	Power supply	100~240VAC, 50/60Hz			
	consumption	20W			

Inner Principle



NDS3507Tx Tuner to IP Gateway



NDS3507Tx ASI to IP Gateway