

- ▶ HDMI → DVB-C/DVB-T/ATSC/ISDB-T Encoder & Modulator
- ▶ DVB-C/T/ATSC/ISDB-T RF in one device, **Modulation dynamic switching**
- ▶ **Support LCN**
- ▶ **Low cost**

--- Home Version



A device that allows audio and video signal input in TV distributions with applications in home entertainment, Digital Signage for hotels, shops, restaurants etc...

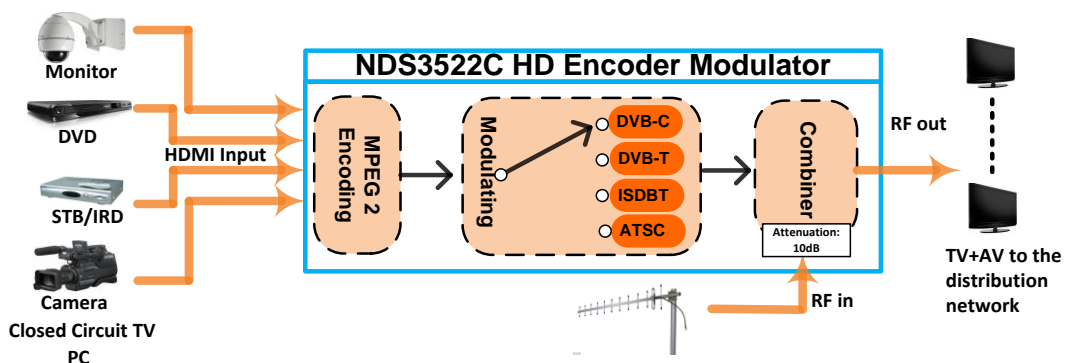
General Description

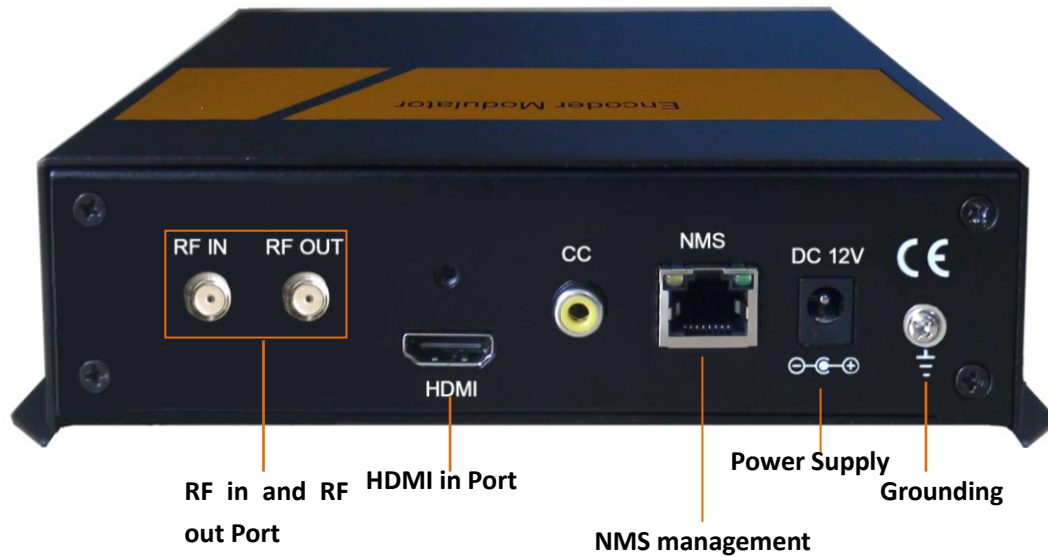
This new NDS3522C HD encoder modulator is designed based on consumer electronics which allows audio/video signal input in TV distributions with applications in home entertainment, surveillance control, hotel Digital Signage, shops etc.

It is an all-in-one device integrating MPEG2 encoding and modulating to convert audio/video signals into DVB-C/T/ATSC/ISDB-T RF out.

The signals source could be from STB, satellite receiver, closed-circuit television cameras and antenna etc. Its output signal is to be received by TVs or STBs etc.

System Connection





Technical Specifications

HDMI Encoding Section

Video	Encoding	MPEG2	
	Interface	HDMI*1	
	Input	Output	
	480@59.94/60i	480@30p	
	576@50i	576@25p	
	720@50/59.94/60p	720@25/30p	
	1080@50i	1080@25p	
	1080@59.94/60i	1080@30p	
	1080@50p	1080@25p	
	1080@59.94/60p	1080@30p	
Aspect Ratio	16:9		
Bit rate	2.000~20.000 Mbps		
Audio	Encoding	MPEGI layer 2, AAC, AC3	
	Sample rate	48KHz	
	Bit rate	MPEGI layer 2 (128kbps)	
		AAC (VBR)	
AC3 (128kbps)			

DVB-C Modulator Section

Standard	J.83A (DVB-C), J.83B	
MER	≥35dB	
RF frequency	100-1000MHz, 1KHz step	
RF output level	-48~ -10dBm, 1dB step	
Symbol rate	3.000~7.000Msp/s adjustable	
	J.83A	J.83B
Constellation	16/32/64/128/ 256 QAM	64/ 256 QAM
Bandwidth	8M	6M

DVB-T Modulator Section

Standard	DVB-T COFDM
Bandwidth	2M, 3M, 4M, 5M, 6M, 7M, 8M
Constellation	QPSK, 16QAM, 64QAM

Code rate	1/2, 2/3, 3/4, 5/6, 7/8
Guard Interval	1/32, 1/16, 1/8, 1/4
Transmission Mode:	2K, 8K
MER	≥35dB
RF frequency	100-1000MHz, 1KHz step
RF output level	-48~ -10dBm, 1dB step

ISDB Modulator Section

Standard	ARIB STD-B31
Constellation	QPSK, 16QAM, 64QAM
Guard Interval	1/32, 1/16, 1/8, 1/4
Transmission Mode	2K, 4K, 8K
Code rate	1/2, 2/3, 3/4, 5/6, 7/8
RF frequency	100~1000MHz, 1KHz step
RF output level	-48~ -10dBm, 1dB step

ATSC Modulator Section

Standard	ATSC A/53
Constellation	8 VSB
MER	≥35dB
RF frequency	100~1000MHz, 1KHz step
RF output level	-48~ -10dBm, 1dB step

System

Management	NMS
Language	English
Upgrade	ST Link utility

General

Power supply	DC 12V
Dimensions	180*110*39.5mm
Weight	< 1kg

...for communities of residents
an information channel on their television



...for restaurants
information about daily menus ,special deals,etc



...for hotels
meeting rooms,exhibitions,message,etc



...for hospitals
training courses, healthy guide, etc



...for Public Spaces
advertising,user information,news,etc



...for shopping centres
new collections,special deals,etc



**Create your own advertising and information
channel using only your NDS3522C Encoder Modulator**